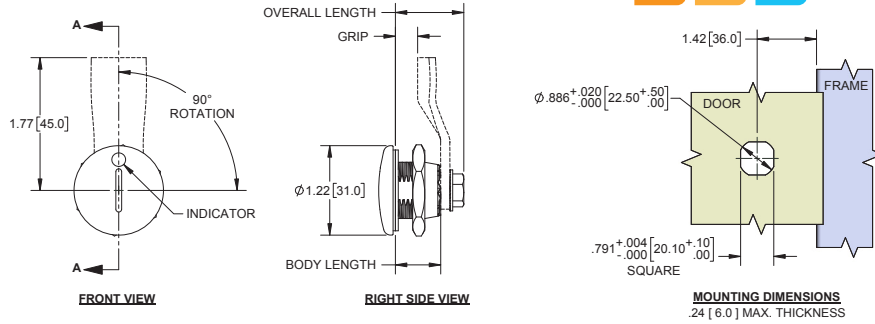




# Low Profile Quarter-turn Latches



part no. 41-70BK



part no. 41-73TC

Part Number	Material	Finish	Plug Style	Description	Body Length	Overall Length	Keys		
41-60BK	die cast zinc	matte black powder coated		slotted	.63 [16.0]	.93 [23.7]	no key		
41-60TC		textured chrome		slotted			no key		
41-61BK		matte black powder coated		8MM square			4-19K01		
41-61TC		textured chrome		8MM square			4-19K01		
41-62BK		matte black powder coated		7MM triangle			30K		
41-62TC		textured chrome		7MM triangle			30K		
41-63BK		matte black powder coated		wing handle			no key		
41-63TC		textured chrome		wing handle			no key		
41-67TC		textured chrome		recessed 8MM square			no key		
41-70BK		matte black powder coated		slotted			.94 [24.0]	1.25 [31.7]	no key
41-70TC		textured chrome		slotted					no key
41-71BK		matte black powder coated		8MM square					4-19K01
41-71TC		textured chrome		8MM square					4-19K01
41-72BK		matte black powder coated		7MM triangle					30K
41-72TC	textured chrome		7MM triangle	30K					
41-73BK	matte black powder coated		wing handle	no key					
41-73TC	textured chrome		wing handle	no key					

▶ includes: body nut, cam retaining screw, detent washer, face gasket, and internal O-ring

▶ use only with cams below, sold separately  
▶ keys sold separately  
▶ intended for NEMA type 4 & 12 enclosures

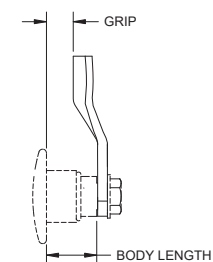
## One Point Cams

Part Number	Grip		Offset In
	Short Body Length	Long Body Length	
12C100	---	.24 [6.0]	.71 [18.0] in
12C101	---	.31 [8.0]	.63 [16.0] in
12C102	.08 [2.0]	.39 [10.0]	.55 [14.0] in
12C103	.16 [4.0]	.14 [12.0]	.47 [12.0] in
12C104	.24 [6.0]	.55 [14.0]	.39 [10.0] in
12C105	.31 [8.0]	.63 [16.0]	.31 [8.0] in
12C106	.39 [10.0]	.71 [18.0]	.24 [6.0] in
12C107	.47 [12.0]	.79 [20.0]	.16 [4.0] in
12C108	.55 [14.0]	.87 [22.0]	.08 [2.0] in
12C109	.63 [16.0]	.94 [24.0]	.00 [0.0]

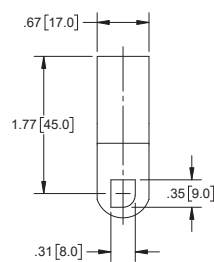
Part Number	Grip		Offset Out
	Short Body Length	Long Body Length	
12C110	.71 [18.0]	1.02 [26.0]	.08 [2.0] out
12C111	.79 [20.0]	1.10 [28.0]	.16 [4.0] out
12C112	.87 [22.0]	1.18 [30.0]	.24 [6.0] out
12C113	.94 [24.0]	1.25 [32.0]	.31 [8.0] out
12C114	1.02 [26.0]	1.34 [34.0]	.39 [10.0] out
12C115	1.10 [28.0]	1.42 [36.0]	.47 [12.0] out
12C116	1.18 [30.0]	1.50 [38.0]	.55 [14.0] out
12C117	1.25 [32.0]	1.57 [40.0]	.63 [16.0] out
12C118	1.34 [34.0]	1.65 [42.0]	.71 [18.0] out
12C119	1.42 [36.0]	1.73 [44.0]	.79 [20.0] out

▶ steel, zinc plated  
▶ these cams only work with locks on this page

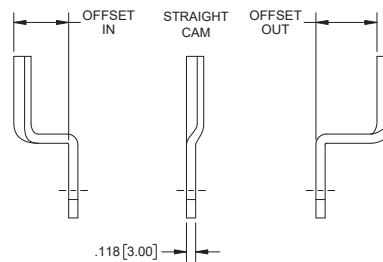
▶ steel, zinc plated  
▶ these cams only work with locks on this page



GRIP & BODY LENGTH



FRONT VIEW



SIDE RIGHT VIEW