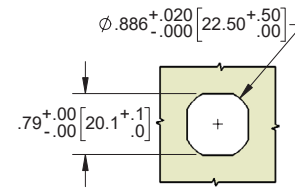
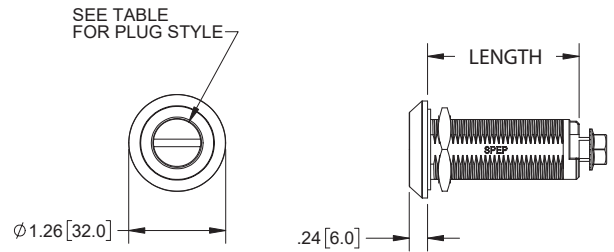


Quarter Turn Latches with Long Housing

Part No.	Length	Plug Style	Material	Finish	Key Part No.
12-30CH	1.18 [30.0]	slotted	die cast zinc	chrome plated	no key
12-30BK				black, textured	
12-10CH	1.97 [50.0]	slotted	die cast zinc	chrome plated	
12-10BK				black, textured	
14-30	1.18 [30.0]	7MM square	die cast zinc	chrome plated	4-16K
14-30BK				black, textured	
14-10	1.97 [50.0]	7MM square	die cast zinc	chrome plated	
14-10BK				black, textured	
14-305	1.18 [30.0]	8MM square	die cast zinc	chrome plated	4-19K
14-305BK				black, textured	
14-105	1.97 [50.0]	8MM square	die cast zinc	chrome plated	
14-105BK				black, textured	
18-30	1.18 [30.0]	3MM double bit	die cast zinc	chrome plated	4-14K
18-30BK				black, textured	
18-10	1.97 [50.0]	3MM double bit	die cast zinc	chrome plated	
18-10BK				black, textured	
30-30	1.18 [30.0]	7MM triangle	die cast zinc	chrome plated	4-15K
30-30BK				black, textured	
30-10	1.97 [50.0]	7MM triangle	die cast zinc	chrome plated	
30-10BK				black, textured	
30-305	1.18 [30.0]	8MM triangle	die cast zinc	chrome plated	4-15K01
30-305BK				black, textured	
30-105	1.97 [50.0]	8MM triangle	die cast zinc	chrome plated	
30-105BK				black, textured	

▶ cams sold separately. See pg. 128 for cams & grip dimension

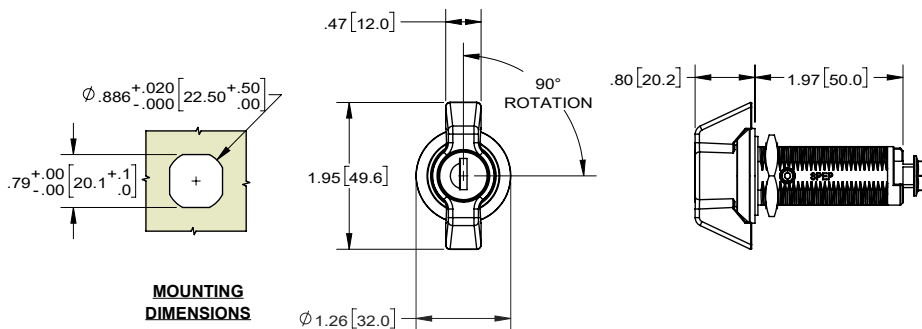


MOUNTING DIMENSIONS

Wing Knob Quarter-turn Latches with Long Housing

Part Number	Material	Finish	Key Code
13-10	die cast zinc	chrome plated	non-locking
13-10BK	die cast zinc	black, textured	non-locking
16-10	die cast zinc	chrome plated	333
16-10BK	die cast zinc	black, textured	333

▶ cams sold separately. See pg. 128 for cams & grip dimension



MOUNTING DIMENSIONS