

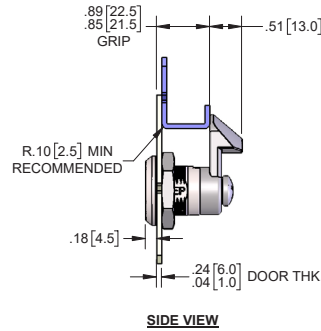
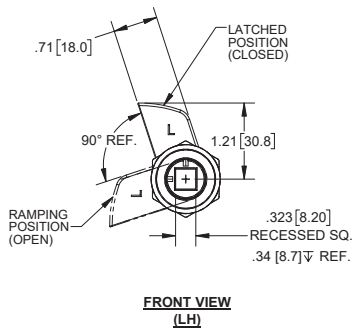
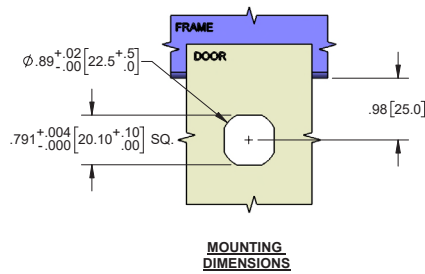
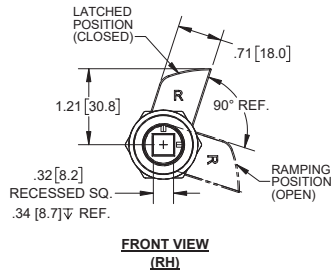


IP40

304SS Push-to-Close Quarter Turn Latches

Plug Style	Left Hand		Right Hand	
	Left Hand		Right Hand	
8 MM Recessed Square	42-07SSL		42-07SSR	

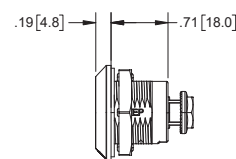
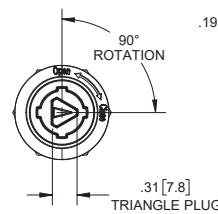
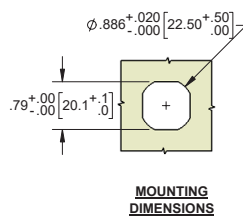
- ▶ 304SS with mill finish
- ▶ convenient push-to-close latch with spring return cam
- ▶ internal O-ring **not** included to ensure smooth spring action return
- ▶ includes:
  - ▶ pre-assembled fixed cam
  - ▶ body nut
  - ▶ face seal
  - ▶ M6 mounting screw



Quarter Turn Latch with 8mm Triangle Plug

Part Number	Material	Finish	Plug
41-50	die cast zinc	chrome plated	8mm triangle with arrow

- ▶ key p/n 4-15K01
- ▶ see pg 128 for cams and grip dims.



NEMA 4 NEMA 12 IP65 RATED

Quarter Turn Latch with D-ring

Part Number	Material		Finish	
	Housing	D-ring and Plug	Housing	D-ring and Plug
33BK-50	die cast zinc	die cast zinc	black, smooth	black, smooth

- ▶ assembly includes:
  - ▶ body nut
  - ▶ cam retaining screw
  - ▶ compression spring
  - ▶ face gasket
  - ▶ internal o-ring
  - ▶ 304SS knurled pin
- ▶ intended for NEMA type 4 & 12 enclosures
- ▶ cams sold separately. See pg. 128 for cams & grip dimension

