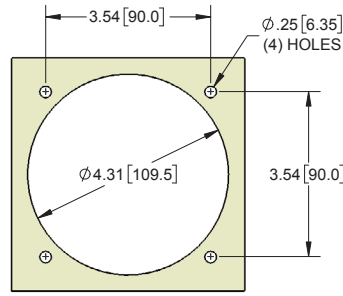


### Steel Pocket Pull

Part Number	Material	Finish
<b>J3005BK</b>	steel	black e-coated

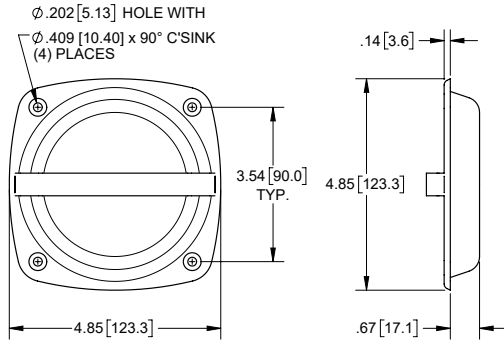
▶ black PVC gasket available as part no. **J3005G** to protect mounting surface



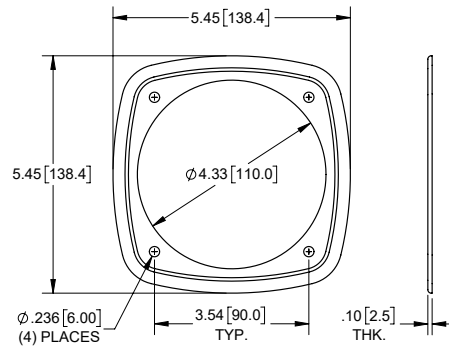
**MOUNTING DIMENSIONS**



pocket pull and gasket assembled



**J3005BK  
PULL**

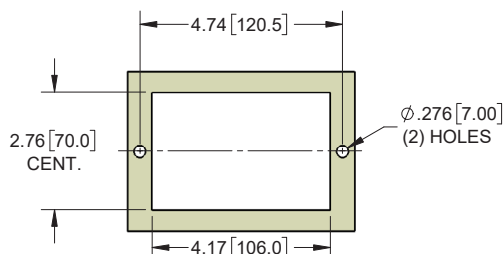
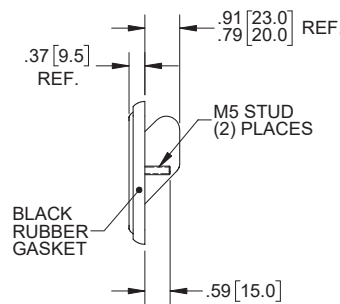
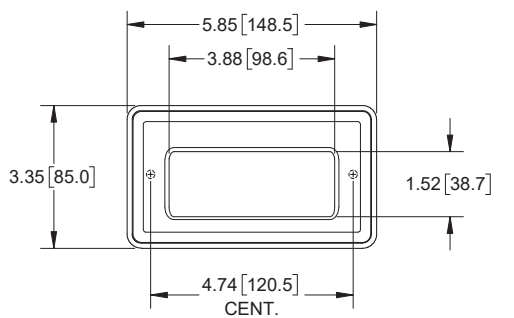


**J3005G  
GASKET**

### Flush Plastic Pocket Pull

Part Number	Mounting	Material	Finish
<b>J3001P</b>	304SS studs	glass reinforced plastic	black textured

▶ includes black rubber gasket



**MOUNTING DIMENSIONS**