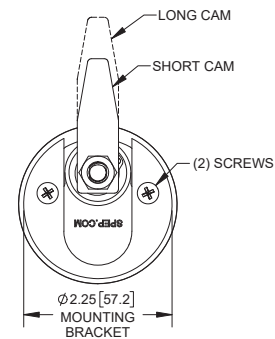
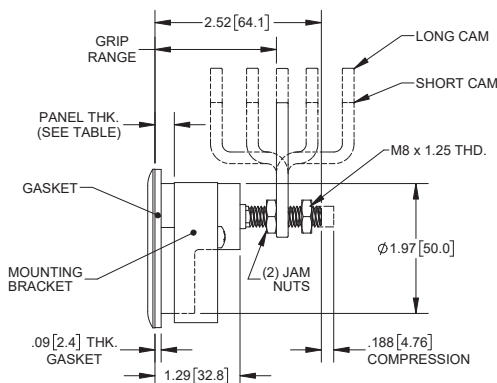
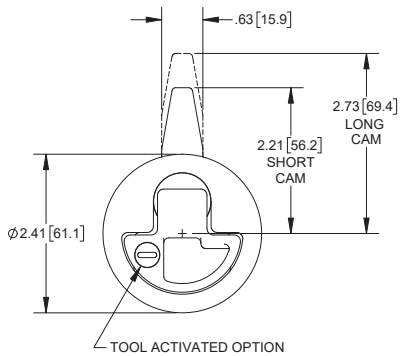
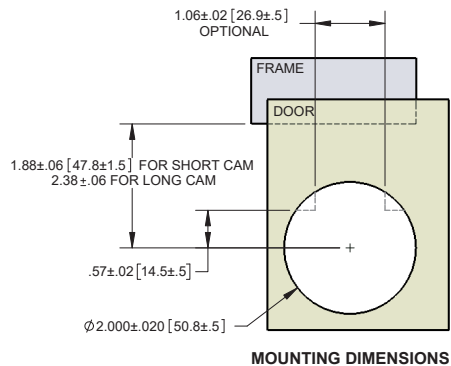


patented



**Features**

- ▶ die cast zinc
- ▶ polished chrome finish
- ▶ water sealing
- ▶ tool operated lock can be turned with a standard screwdriver
- ▶ passes 500 hour salt spray test per ASTM B117

**Flush-Mount Round Compression Latches**

Part Number				Panel Thickness	Grip Range			
Short Cams		Long Cams			Cam Offset In		Cam Offset Out	
Non-Locking	Tool Activated	Non-Locking	Tool Activated		Min.	Max.	Min.	Max.
7-CH-12	7-02CH-12	7-10CH-12	7-12CH-12	.075 [1.91]	----	1.10 [27.9]	2.48 [63.0]	3.00 [76.2]
7-CH-8	7-02CH-8	7-10CH-8	7-12CH-8	to	1.06 [26.9]	1.57 [39.9]	2.01 [51.1]	2.52 [64.0]
7-CH-4	7-02CH-4	7-10CH-4	7-12CH-4	.475 [12.07]	1.53 [38.9]	2.04 [51.8]	----	----
7-50CH-12	7-52CH-12	7-60CH-12	7-62CH-12	.475 [12.07]	----	1.10 [27.9]	2.48 [63.0]	3.00 [76.2]
7-50CH-8	7-52CH-8	7-60CH-8	7-62CH-8	to	1.06 [26.9]	1.57 [39.9]	2.01 [51.1]	2.52 [64.0]
7-50CH-4	7-52CH-4	7-60CH-4	7-62CH-4	.885 [22.48]	1.53 [38.9]	2.04 [51.8]	----	----