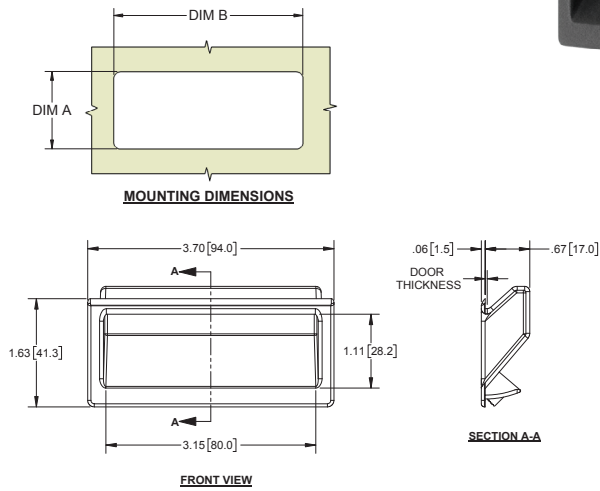


Small Plastic Pocket Pull

Part No.	Material	Finish
93-02	glass reinforced plastic	black textured
Door Thickness	Panel Cut-out	
	Dim A	Dim B
0.030 [0.75] - 0.039 [1.00]	1.377 + 0.007 [35.00 + 0.20]	3.346 + 0.011 [85.00 + 0.30]
0.039 [1.00] - 0.078 [2.00]	1.417 + 0.007 [36.00 + 0.20]	3.346 + 0.011 [85.00 + 0.30]

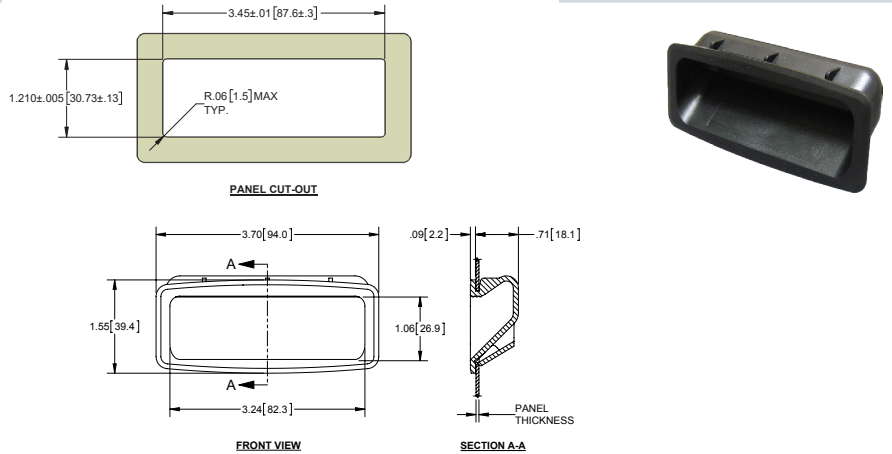
- ▶ for lifting or pulling
- ▶ snaps into place and fasteners are not required



Flush Pocket Pulls

Part Number	Panel Thickness	Material	Finish
91-09BK02	.040 - .055 [1.02 - 1.40]	ABS	black, textured
91-10BK02	.055 - .070 [1.40 - 1.78]	ABS	
91-11BK	.070 - .085 [1.78 - 2.16]	ABS	
91-12BK	.085 - .100 [2.16 - 2.54]	ABS	

- ▶ for lifting or pulling
- ▶ snap-in installation
- ▶ UL 94-HB rated



Flush Pocket Pulls

Part Number	Panel Thickness	Material	Finish
91-19BK02	.040 - .055 [1.02 - 1.40]	ABS	black, textured
91-20BK02	.055 - .070 [1.40 - 1.78]	ABS	
91-21BK	.070 - .085 [1.78 - 2.16]	ABS	
91-22BK	.085 - .100 [2.16 - 2.54]	ABS	

- ▶ for lifting or pulling
- ▶ snap-in installation
- ▶ UL 94-HB rated

