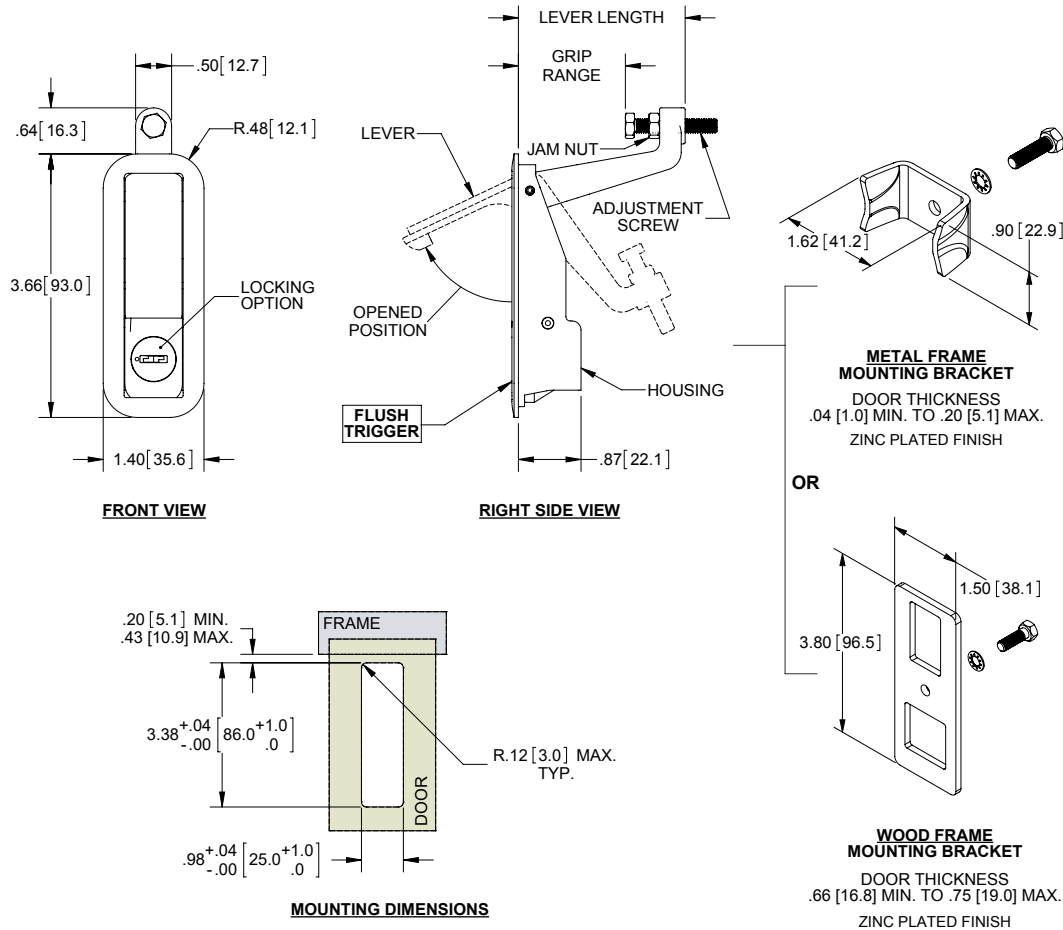


**PAT.** Flush Trigger Compression Latches

Latches



**Features**

- ▶ die cast zinc
- ▶ low profile
- ▶ spring loaded lever
- ▶ mounting bracket per table
- ▶ (2) ringed keys included
- ▶ jam nut can be positioned on opposite side of lever in order to achieve maximum grip range
- ▶ also available with a thicker gauge metal frame mounting bracket for heavier duty applications (part no. **X44-MK01**)
- ▶ optional adjustment screw with plastic head (part no. **371**) is available separately, see below

**Single Key Code Latches and Non-locking Latches**

Grip Range .04 [1.0] to .95 [24.1] (1.4 [36] Lever Length)				Grip Range .91 [23.1] to 1.81 [46.0] (2.3 [58] Lever Length)				Mounting	Style
Matte Black	Polished Chrome	Textured Chrome	Gray	Matte Black	Polished Chrome	Textured Chrome	Gray		
<b>47BK-751</b>	<b>47CH-751</b>	<b>47TC-751</b>	<b>47G-751</b>	<b>47BK01-751</b>	<b>47CH01-751</b>	<b>47TC01-751</b>	<b>47G01-751</b>	metal mounting	locking- CH751
<b>47BK</b>	<b>47CH</b>	<b>47TC</b>	<b>47G</b>	<b>47BK01</b>	<b>47CH01</b>	<b>47TC01</b>	<b>47G01</b>	metal mounting	non-locking
<b>49BK-751</b>	<b>49CH-751</b>	<b>49TC-751</b>	<b>49G-751</b>	<b>49BK01-751</b>	<b>49CH01-751</b>	<b>49TC01-751</b>	<b>49G01-751</b>	wood mounting	locking- CH751
<b>49BK</b>	<b>49CH</b>	<b>49TC</b>	<b>49G</b>	<b>49BK01</b>	<b>49CH01</b>	<b>49TC01</b>	<b>49G01</b>	wood mounting	non-locking

**Adjustment Screw with Plastic Head**

Part Number	Material	Grip Range
<b>371</b>	304SS screw & nut	0 [0] - .79 [20.1] .59 [15.1] - 1.65 [42.0]

- ▶ plastic head protects surface finish from being damaged

