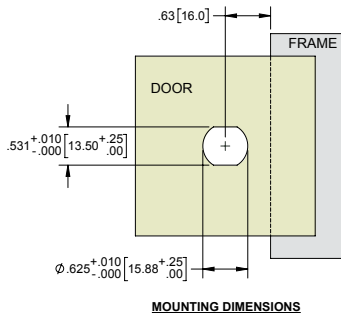


Small Compression Latches

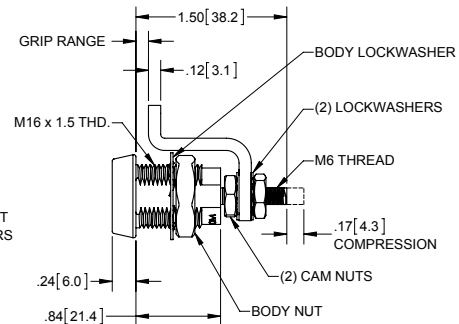
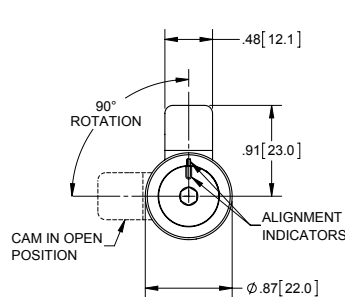
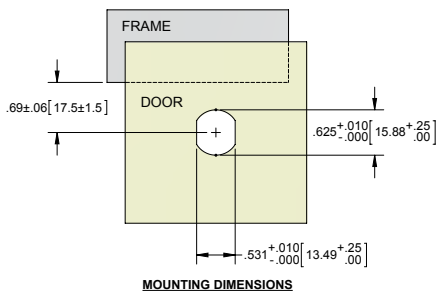


Grip Range		Part Number				
Min.	Max.	Recessed Hex	Thumb Turn	Slotted	Recessed Tubular	Hex Socket
.13 [3.2]	.25 [6.4]	<b>3-10BK01</b>	<b>3-11BK01</b>	<b>3-12BK01</b>	<b>3-13BK01</b>	<b>3-14BK01</b>
.25 [6.4]	.38 [9.5]	<b>3-10BK02</b>	<b>3-11BK02</b>	<b>3-12BK02</b>	<b>3-13BK02</b>	<b>3-14BK02</b>
.38 [9.5]	.50 [12.7]	<b>3-10BK03</b>	<b>3-11BK03</b>	<b>3-12BK03</b>	<b>3-13BK03</b>	<b>3-14BK03</b>
.50 [12.7]	.63 [15.9]	<b>3-10BK04</b>	<b>3-11BK04</b>	<b>3-12BK04</b>	<b>3-13BK04</b>	<b>3-14BK04</b>
.63 [15.9]	.75 [19.0]	<b>3-10BK05</b>	<b>3-11BK05</b>	<b>3-12BK05</b>	<b>3-13BK05</b>	<b>3-14BK05</b>
.75 [19.0]	.88 [22.2]	<b>3-10BK06</b>	<b>3-11BK06</b>	<b>3-12BK06</b>	<b>3-13BK06</b>	<b>3-14BK06</b>
.88 [22.2]	1.00 [25.4]	<b>3-10BK07</b>	<b>3-11BK07</b>	<b>3-12BK07</b>	<b>3-13BK07</b>	<b>3-14BK07</b>
1.00 [25.4]	1.13 [28.6]	<b>3-10BK08</b>	<b>3-11BK08</b>	<b>3-12BK08</b>	<b>3-13BK08</b>	<b>3-14BK08</b>



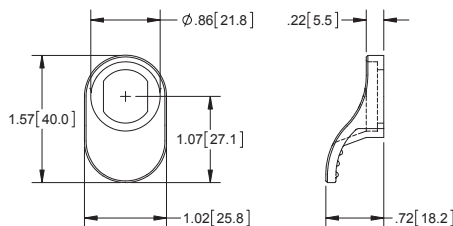
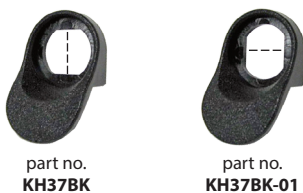
- includes:
  - (1) body lock washer
  - (1) body mounting nut
  - (1) cam
  - (2) cam lock washers
  - (2) cam mounting nuts
- die cast zinc
- finish: black powder coated
- grip range shown is in locked position
- achieves NEMA type 4, 12 and IP65 when used with **K04G** gasket (sold separately)

- NOTE:** standard 5/32" or 4mm Allen wrench hex tool to be used for the **recessed hex lock**
- NOTE:** standard thin wall 5/16" or 8mm hex socket tool to be used for the **hex socket lock**.



Key for Recessed Tubular Lock

Part Number	Material	Finish
<b>3-13K</b>	steel	nickel plated



Black Finger Pulls

Part Number	Description	Material
<b>KH37BK</b>	in-line	black nylon
<b>KH37BK-01</b>	perpendicular	black nylon

- textured finish