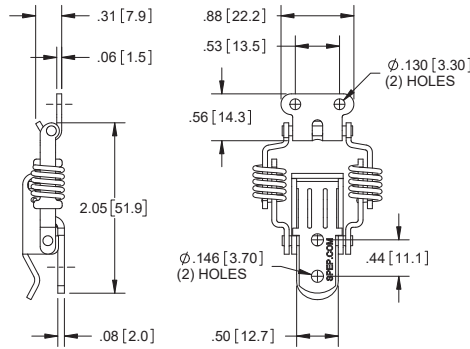
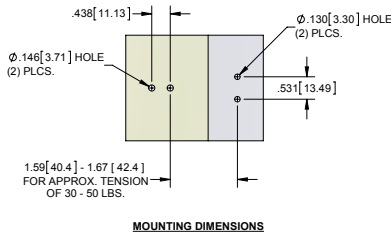


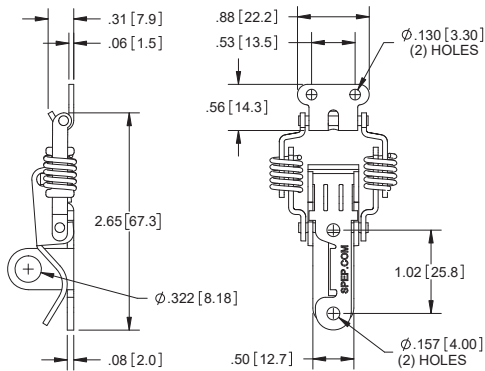
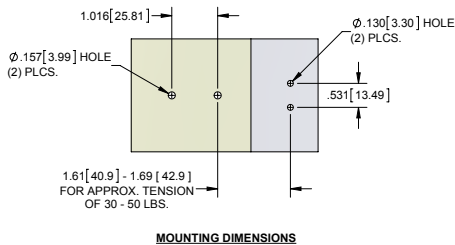
### Small Compression Pull Down Catch and Keeper

Part Number	Material	Finish
2053ZN	steel	zinc plated
2053SS	304SS	electropolished



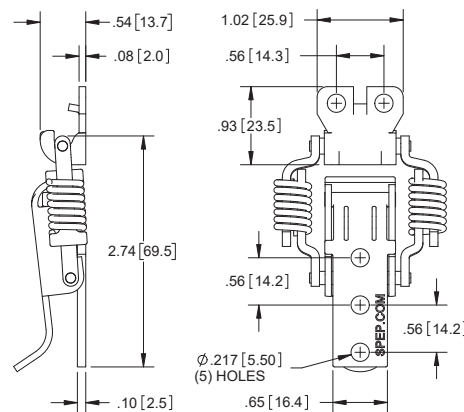
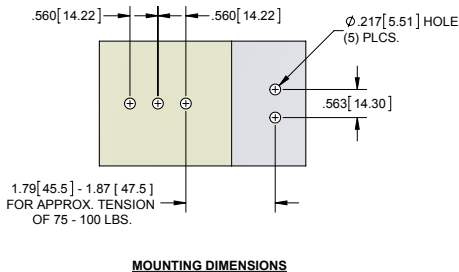
### Small Compression Pull Down Catch with Padlock Eye and Keeper

Part Number	Material	Finish
2054ZN	steel	zinc plated
2054SS	304SS	electropolished



### Large Compression Pull Down Catch and Keeper

Part Number	Material	Finish
2055ZN	steel	zinc plated
2055SS	304SS	electropolished



### Spring Loaded Draw Pull Latch with Safety Catch

Part Number	Material	Finish
2064SS	304SS	passivated

- ▶ built-in safety catch
- ▶ spring loaded

