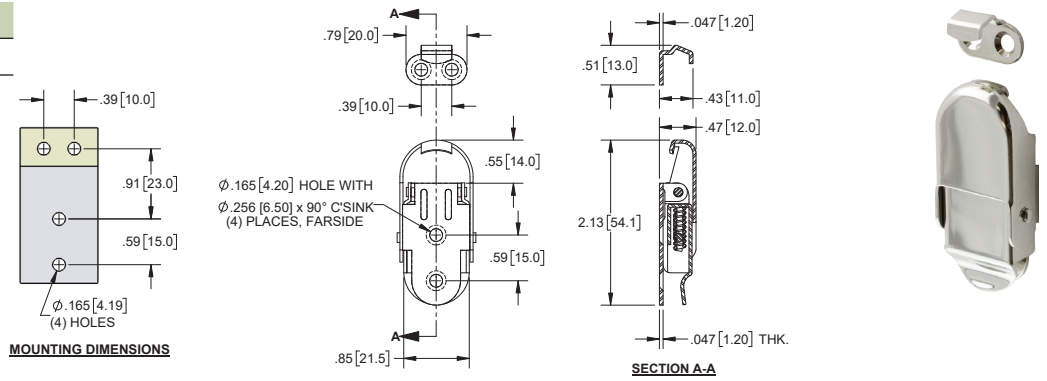


### Spring Loaded Draw Pull Latch

Part Number	Material	Finish
2074N	steel	nickel plated

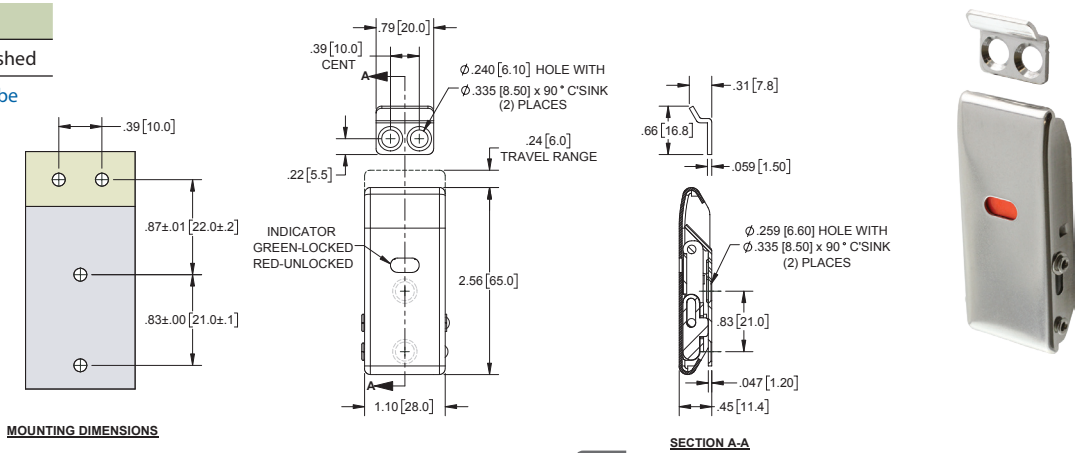
- ▶ spring loaded lever



### Spring Loaded Pull Down Latch

Part No.	Material	Finish
2069SS	304SS	barrel polished

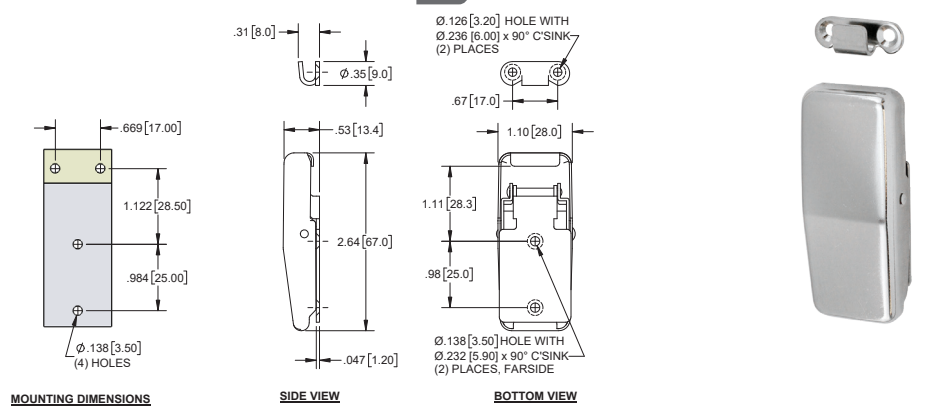
- ▶ latched or unlatched condition can be verified with built-in indicator
- ▶ red indicates unlatched
- ▶ green indicates latched
- ▶ spring loaded



### 316SS Spring Loaded Pull Down Latch

Part No.	Description	Material	Finish
233SS	latch and keeper	316SS	barrel polished

- ▶ concealed keeper
- ▶ spring loaded



### Spring Loaded Pull Down Latch

Part No.	Description	Material	Finish
246SS	latch and keeper	304SS	barrel polished

- ▶ concealed keeper
- ▶ spring loaded
- ▶ a padlock of up to 5/16" may be used

