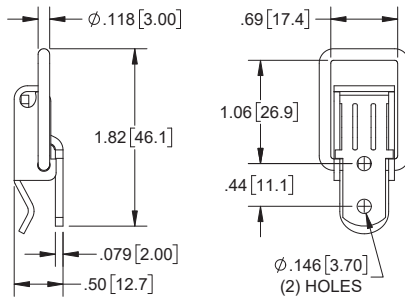


Small Pull Down Latch with Straight Loop Wire Bail



Part Number	Mounting Holes	Material	Finish
2043ZN	yes	steel	blue zinc plated
2043ZN-02	no	steel	blue zinc plated
2043SS	yes	304SS	tumbled
2043SS-02	no	304SS	tumbled

▶ see pg. 169 for keeper (sold separately)

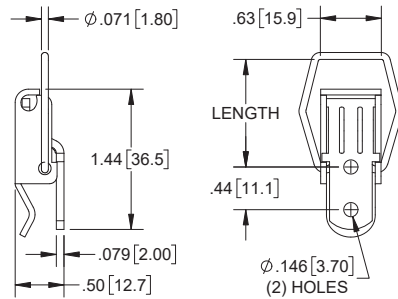
Small Pull Down Latch with Short Hexagonal Loop Wire Bail



1.10 length



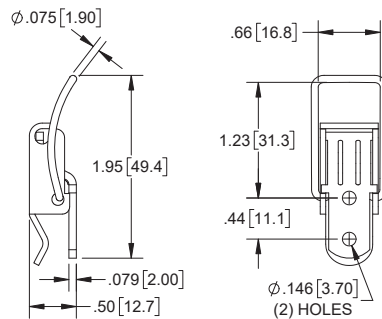
.88 length



Part Number	Mounting Holes	Length	Material	Finish
2044ZN	yes	1.10 [27.9]	steel	blue zinc plated
2044ZN-01	yes	.88 [22.2]	steel	blue zinc plated
2044ZN-02	no	.88 [22.2]	steel	blue zinc plated
2044SS	yes	1.10 [27.9]	304SS	tumbled
2044SS-01	yes	.88 [22.2]	304SS	tumbled
2044SS-02	no	.88 [22.2]	304SS	tumbled

▶ see pg. 169 for keeper (sold separately)

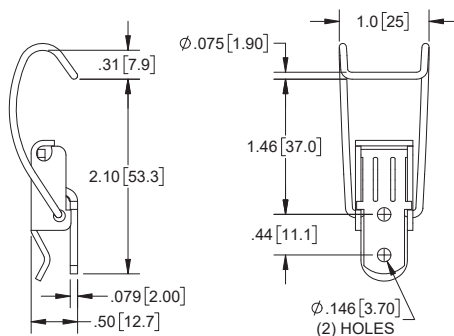
Small Pull Down Latch with Spring Loop Wire Bail



Part Number	Mounting Holes	Material	Finish
2047ZN	yes	steel	blue zinc plated
2047SS	yes	304SS	tumbled

▶ see pg. 169 for keeper (sold separately)

Small Pull Down Latch with Spring Hook Loop Wire Bail



Part Number	Mounting Holes	Material	Finish
2046ZN	yes	steel	blue zinc plated
2046SS	yes	304SS	tumbled

▶ can be used with or without keeper on pg. 169 (sold separately)