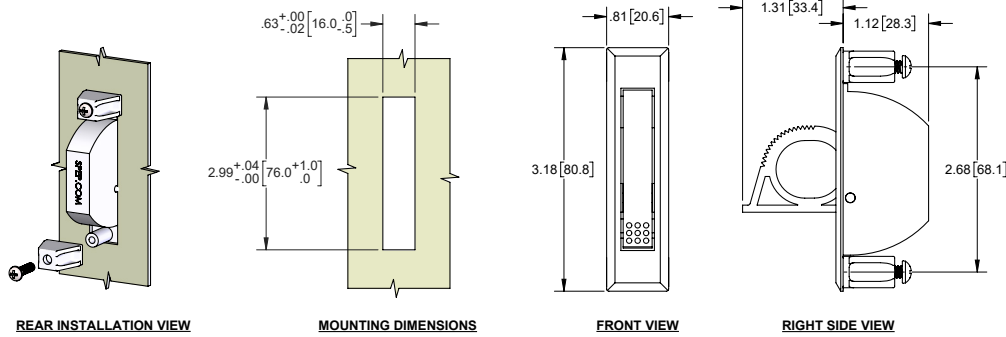
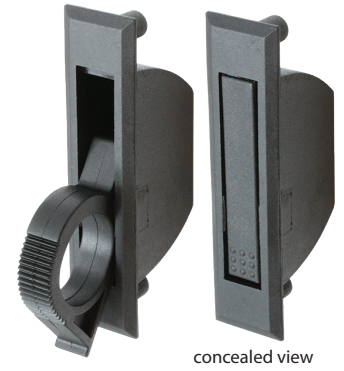


**Concealed Pull Assembly**

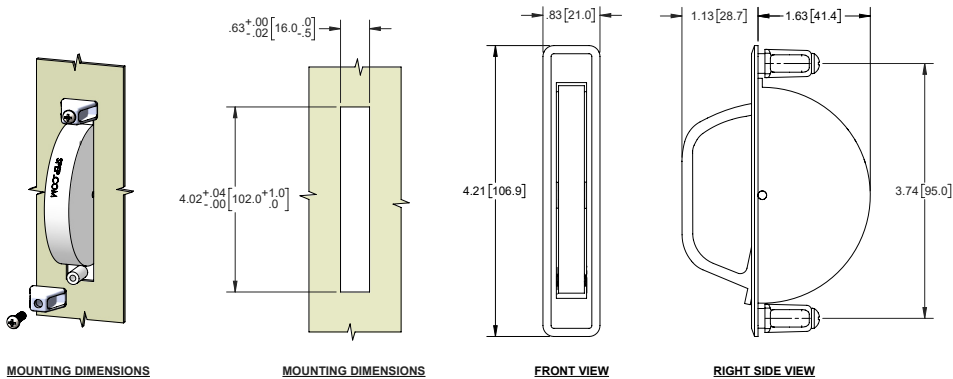
Part Number	Material	Finish
91-01	glass reinforced plastic	black

► flush mounting for up to .25 [6.35] door thickness



**Concealed Pull Assembly**

Part Number	Material		Finish
	Handle	Housing	
91-02	die cast zinc	plastic	black



**Concealed Pull Assembly**

Part Number	Material	Finish
91-03	die cast zinc	grey chrome coated
91-03BK	die cast zinc	black powder coated

