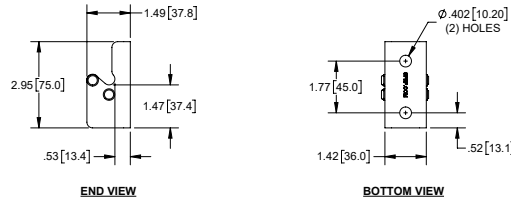


Heavy Duty Toggle Latch

Latch

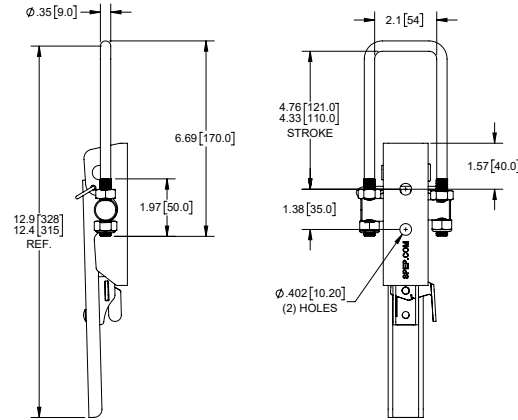
Part No.	Material	Finish
2077ZN-L	steel	zinc plated

- ▶ keeper available separately
- ▶ max working load: 7500 LBS
- ▶ ultimate load: 15000 LBS



Keeper

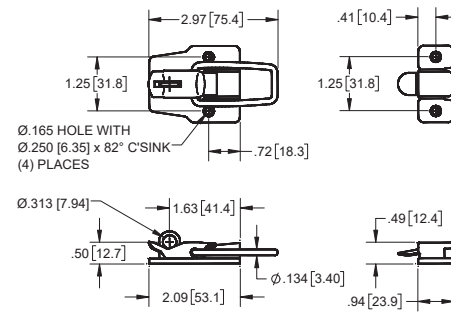
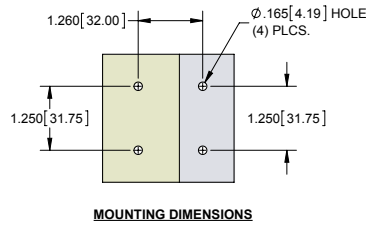
Part No.	Material	Finish
2077ZN-K	steel	zinc plated



Stamped Padlocking Over Center Latch

Part No.	Material	Finish
2045	steel	nickel plated

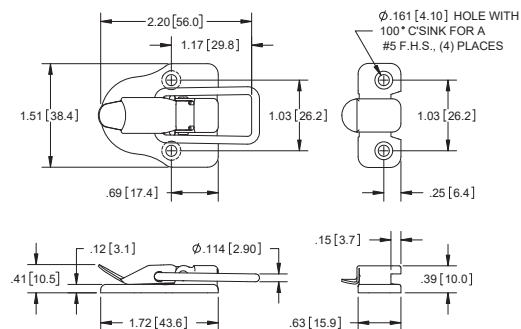
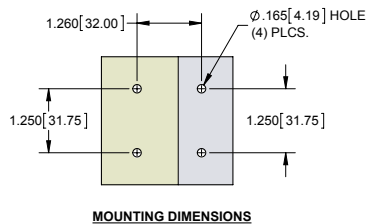
- ▶ spring loaded lever snaps to the open or closed position



Stamped Over Center Latch

Part No.	Material	Finish
2051	steel	nickel plated

- ▶ spring loaded lever snaps to the open or closed position



Draw Pull Latch with Spring Loaded Lever

Part No.	Material	Finish
2072NP	steel	nickel plated

- ▶ spring loaded lever

