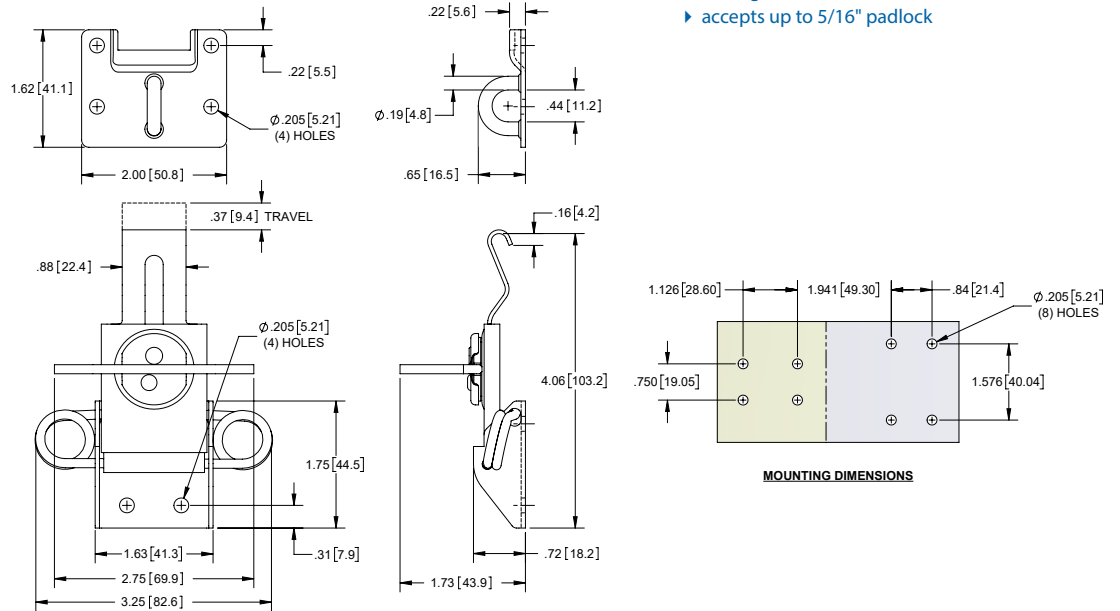
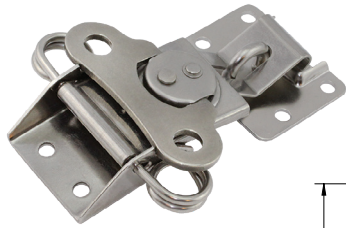


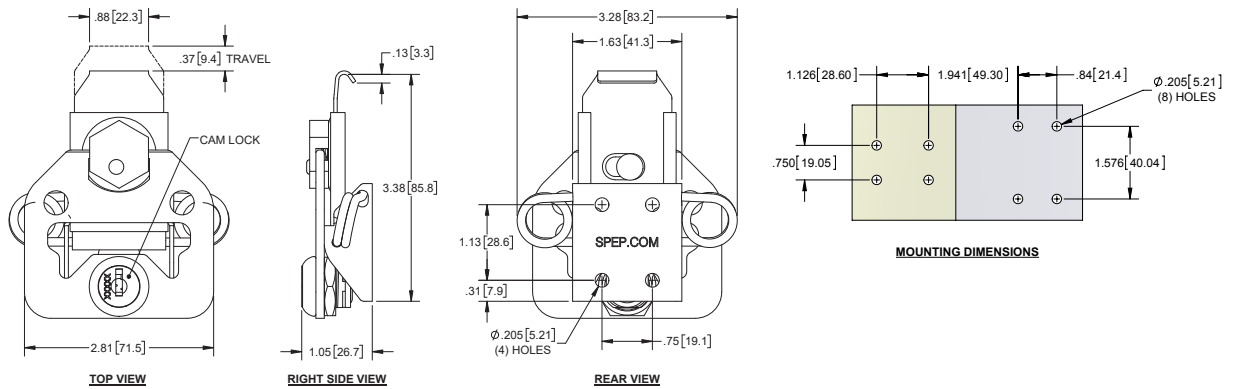
## Large Spring Loaded Twist Latch with Padlocking Keeper



Part Number	Description	Material	Finish
<b>209501SS</b>	latch and keeper	300 series stainless steel	tumbled

- ▶ the spring compensates for up to .16 [4.0] misalignment
- ▶ accepts up to 5/16" padlock

## Cam Locking Twist Latch



Part Number	Material	Finish
<b>208907</b>	steel	blue zinc plated

- ▶ stainless steel slide catch springs
- ▶ (2) key codes available: CH751 & C415A
- ▶ can be used with part no. 2096 keeper