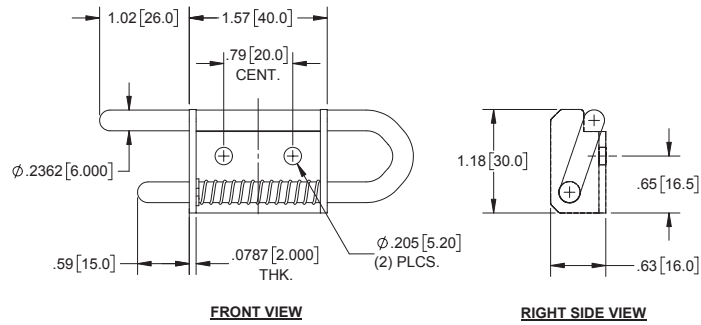
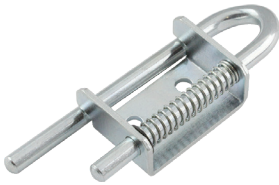


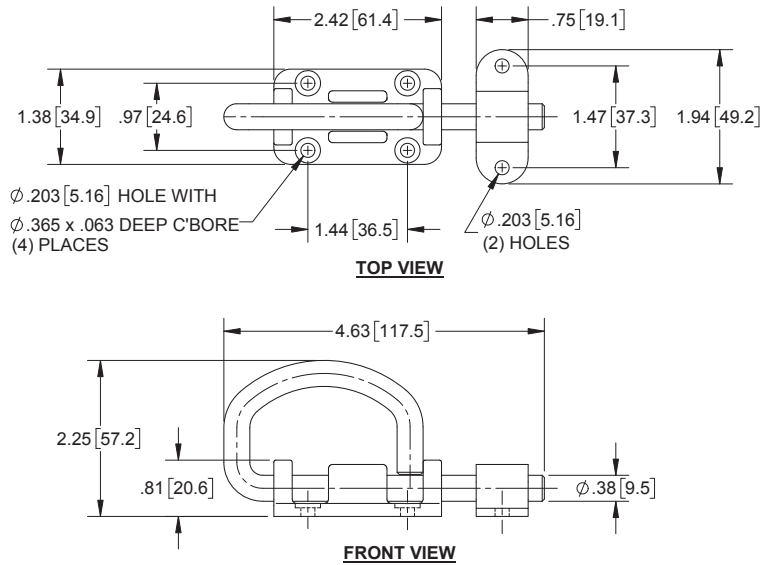
### Spring Loaded U-Bolt Latch

Part No.	Material	Finish
1133	steel	zinc plated



### Loop Handle Latch

Part Number	Guide Material Thickness	Finish
1445	.118 [3.00]	zinc plated



- ▶ steel handle and keeper
- ▶ die cast zinc base