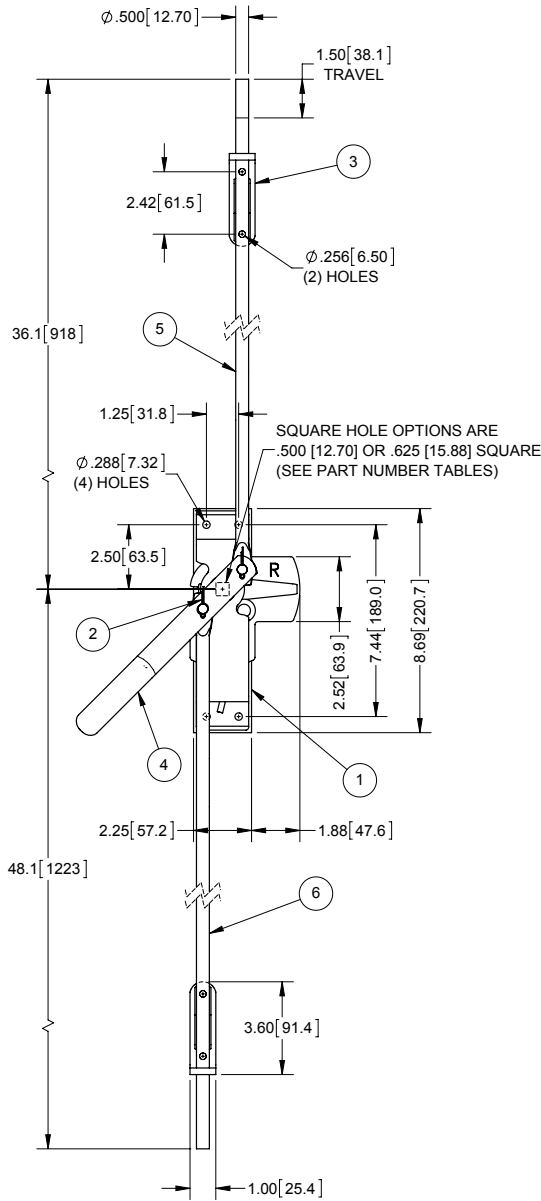


Heavy Duty Three Point Door Latches for 1/2" or 5/8" Sq. Shaft



Features

- ▶ three point center case allows the inside handle to override the outside handle, even if the outside handle is locked or jammed (used with handles that have a 180° or 360° rotation only)
- ▶ all parts are zinc plated
- ▶ accepts handles with .500 [12.70] or .625 [15.88] sq. shaft. (refer to handles on pages 40-55)
- ▶ each part number may be ordered separately

1/2" Sq. Shaft Hole

Part No. 730-10		
Item	Component Part No.	Description
1	730	(1) three point center case with 1/2[13] sq. shaft hole
2	732	hardware kit includes: leaf spring, (4) cotter pins, (8) 3/8[10] flat washers, (2) 3/8[10] clevis pins
3	718-02	(2) spring loaded rod guides
4	736	(1) inside release handle
5	745-36.00	(1) 36.00 [914.4] x $\phi .50$ [12.7] connecting rod
6	745-48.00	(1) 48.00 [1,219.2] x $\phi .50$ [12.7] connecting rod

5/8" Sq. Shaft Hole

Part No. 729-10		
Item	Component Part No.	Description
1	729	(1) three point center case with 5/8[16] sq. shaft hole
2	732	hardware kit includes: leaf spring, (4) cotter pins, (8) 3/8[10] flat washers, (2) 3/8[10] clevis pins
3	718-02	(2) spring loaded rod guides
4	736	(1) inside release handle
5	745-36.00	(1) 36.00 [914.4] x $\phi .50$ [12.7] connecting rod
6	745-48.00	(1) 48.00 [1,219.2] x $\phi .50$ [12.7] connecting rod

