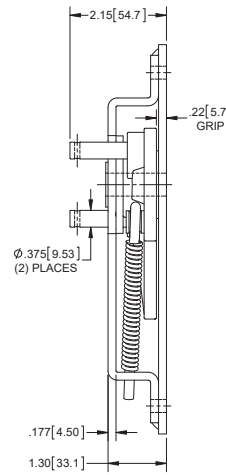
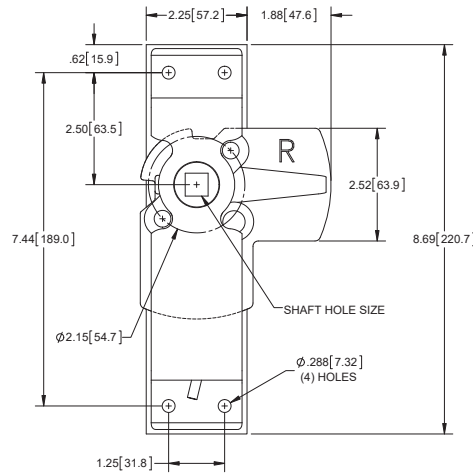


### Three Point Center Case Latches

Part Number	Style	Sq. Shaft Hole Size
729	left & right hand	.636 [16.15]
730	left & right hand	.511 [12.98]

- ▶ steel, zinc plated finish housing
- ▶ die cast zinc, mill finish cam
- ▶ used with handles that have a 180° or 360° rotation only
- ▶ with override
- ▶ see handle selection on pages 40-55
- ▶ see pgs. 220 and 221 for 316SS version

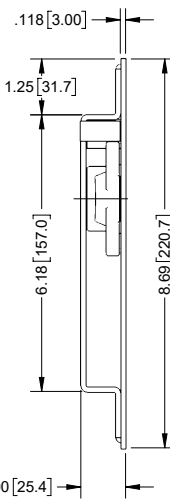
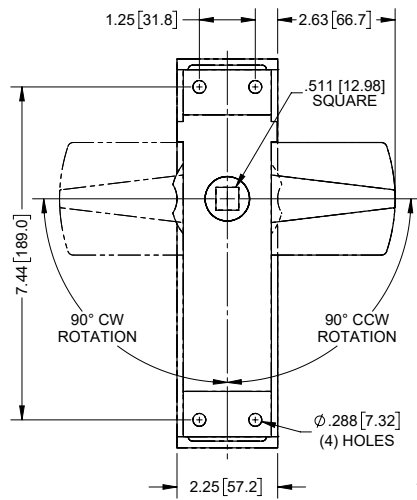


Part No. 729 & 730

### Bi-directional Center Case Latch for 1/2" Sq. Shaft

Part Number	Style	Sq. Shaft Hole Size
730-51	bi-directional	.511 [12.98]

- ▶ cam rotates 180°
- ▶ cam detents every 90°
- ▶ can be used as left hand or right hand
- ▶ no override
- ▶ see handle selection on pages 40-55



### Two Point Center Case Latch for 5/16" Sq. Shaft

Part Number	Style	Sq. Shaft Hole Size
716-25	left & right hand	.329 [8.36]

- ▶ steel, zinc plated finish
- ▶ no override
- ▶ see handle selection on pages 40-55

