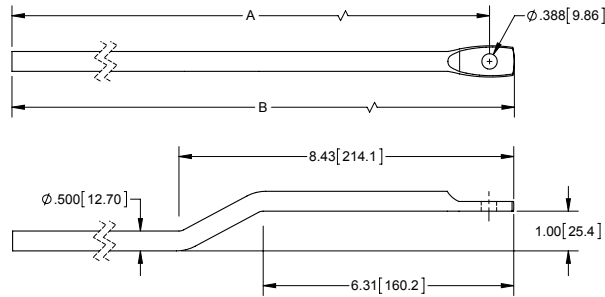


Zinc Plated Ø1/2" Rod with Offset

Part Number	A	B	Material	Finish
745-36.00	35.38"	36.00"	steel	zinc plated
745-48.00	47.38"	48.00"	steel	zinc plated

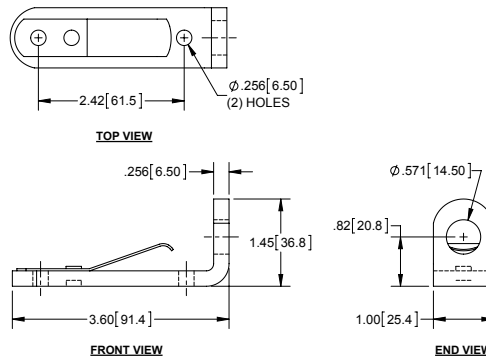
- ▶ custom lengths can be made to your specifications
- ▶ for use with part no. **729-10** & **730-10**



Spring Loaded Rod Guide for a Ø1/2" Rod

Part Number	Material	Finish
718-02	steel	zinc plated

- ▶ stainless steel spring clip material
- ▶ for use with part no. **745-36.00** & **745-48.00**
- ▶ spring clip reduces rattling



Hardware Kit for 3 Point System

Part Number	Description
717	kit includes: (2) wave disc spring washers (2) cotter pins

