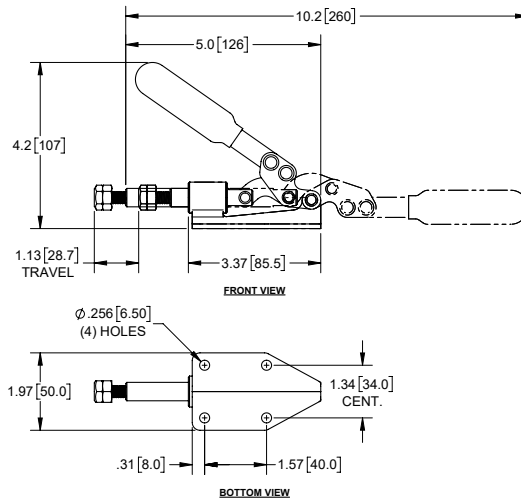
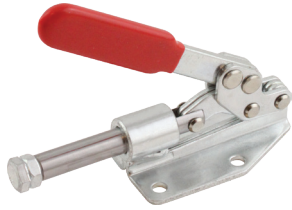


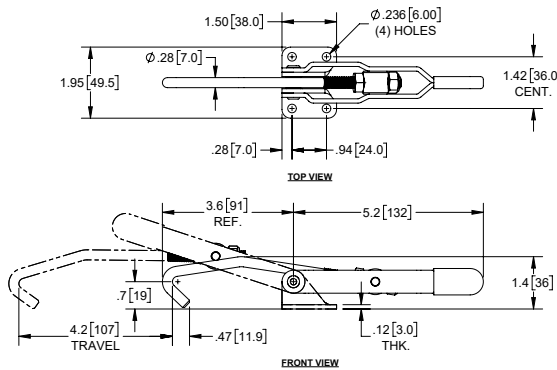
Push Pull Toggle Clamp with Stamped Base & 35° Lever



Part Number	Material	Finish
J3324	steel	zinc plated

- ▶ red plastic grip
- ▶ holding capacity: 397 Lbs. [180 Kg]

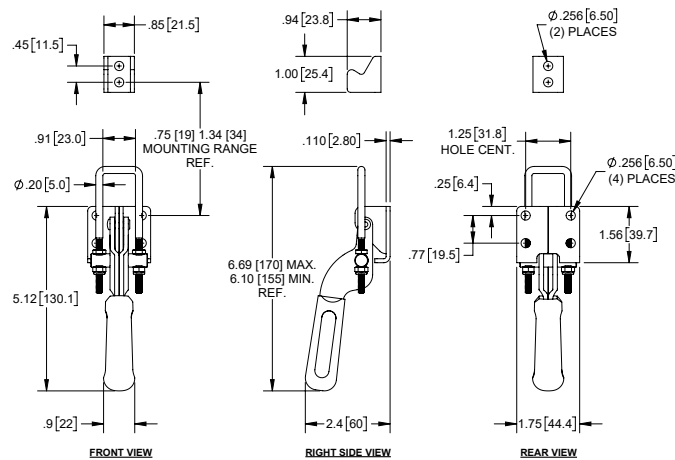
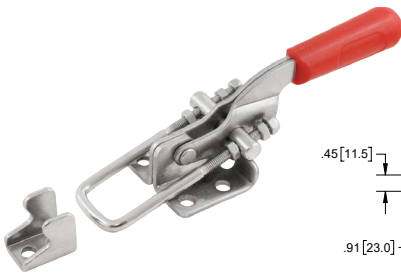
Toggle Latch with Adjustable Hook



Part Number	Material	Finish
J3325	steel	zinc plated

- ▶ red plastic grip
- ▶ holding capacity: 375 Lbs. [170 Kg]

Latching Toggle Clamp with Adjustable U-Bolt



Part Number	Material	Finish
J3109	stainless steel	mill

- ▶ red plastic grip
- ▶ holding capacity: 722 Lbs. [350 Kg]