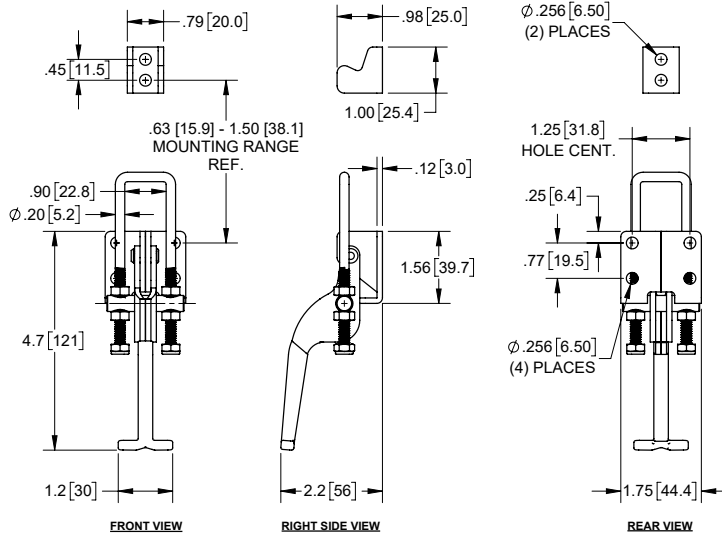
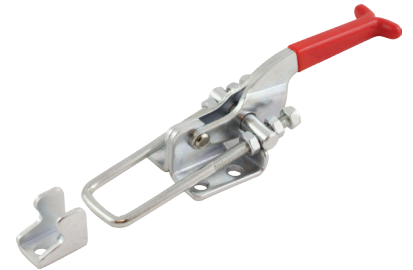


Latching Toggle Clamp with Adjustable U-Bolt

Part Number	Material	Finish
J3328	steel	zinc plated
NEW J3328SS	stainless steel	mill

- ▶ red plastic grip
- ▶ holding capacity: 701 Lbs. [318 Kg]



NEW

Latching Toggle Clamp with Adjustable U-Bolt and Thumb Lever

Part Number	Material	Finish
J3330	steel	zinc plated

- ▶ red plastic grip
- ▶ holding capacity: 2,182.6 Lbs. [990 Kg]

