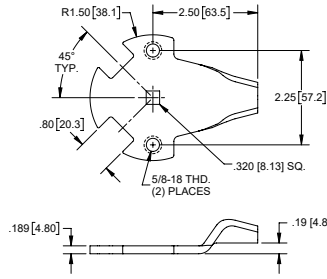


Offset Center Cam

Part Number	Material	Finish
700-01	steel	zinc plated

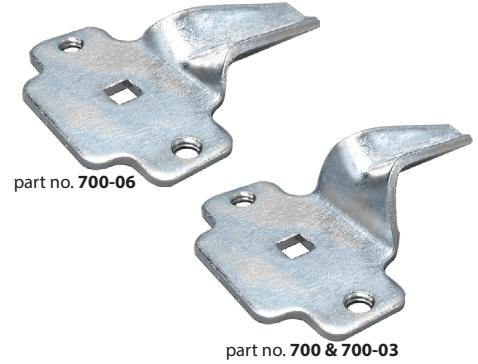
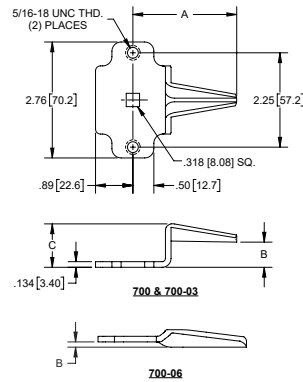
- ▶ refer to previous page for shoulder bolt
- ▶ for use with handles that have a .313 [8.00] sq. shaft



Offset Center Cams

Part Number	Material	Finish	A	B	C
700			2.48 [63.0]	.60 [15.2]	1.05 [26.7]
700-03	steel	zinc plated	2.65 [67.3]	.50 [12.7]	.97 [24.6]
700-06			2.65 [67.3]	0.11 [2.73]	N/A

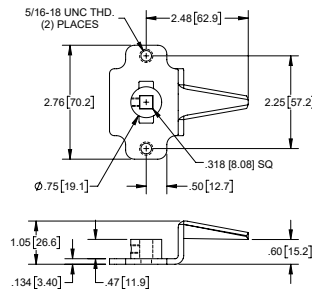
- ▶ refer to previous page for shoulder bolt
- ▶ for use with handles that have a .313 [8.00] sq. shaft



Offset Center Cam with Collar

Part Number	Material	Finish
700-02	steel	zinc plated

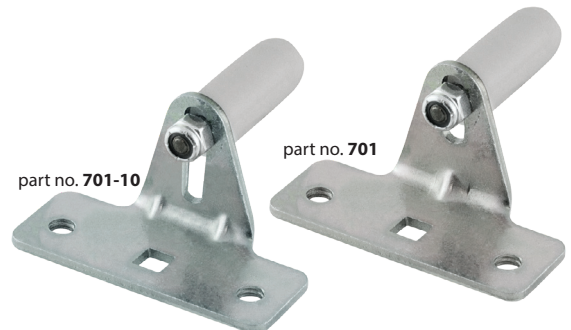
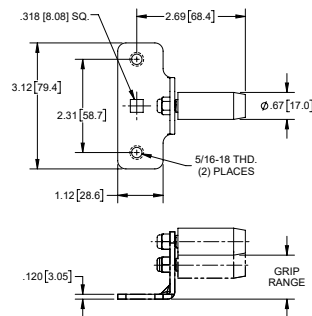
- ▶ refer to previous page for shoulder bolt
- ▶ for use with handles that have a .313 [8.00] sq. shaft



Adjustable Center Cam

Part No.	Material	Finish	Grip Range
701	steel	zinc plated	.52 [13.2] - 1.09 [27.7]
701SS	304SS	mill	.52 [13.2] - 1.09 [27.7]
701-10	steel	zinc plated	.13 [3.2] - 1.09 [27.7]

- ▶ refer to previous page for shoulder bolt
- ▶ for use with handles that have a .313 [8.00] sq. shaft



Adjustable Center Cam with Collar

Part Number	Material	Finish
701-01	steel	zinc plated

- ▶ refer to previous page for shoulder bolt
- ▶ for use with handles that have a .313 [8.00] sq. shaft

