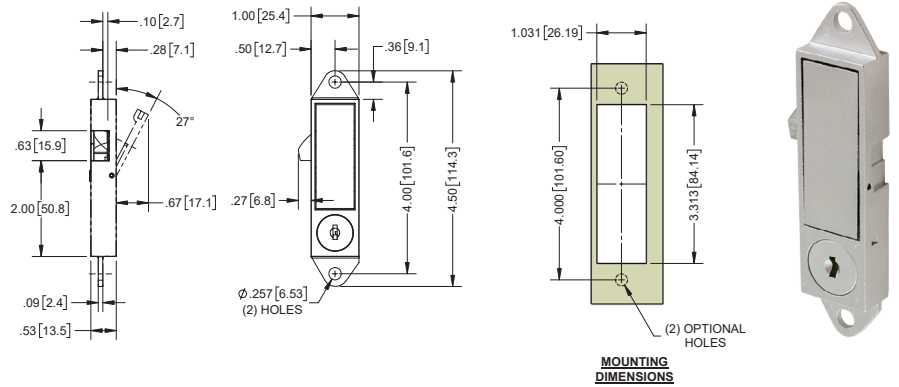


Push to Close Latch

Part Number	Material	Finish
1140	die cast zinc	textured chrome

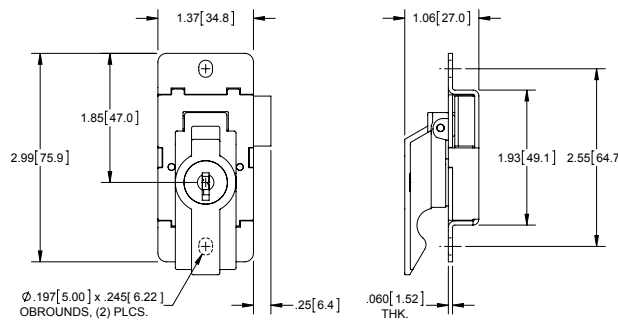
▶ includes (1) brass key



Panel Board Latch

Part Number	Key Code (2 Keys)	Left or Right	Finish
GE1LH	CAT 60	left	zinc plated
GE1RH	CAT 60	right	zinc plated
GE1LH1	SP 60	left	zinc plated
GE1RH1	SP 60	right	zinc plated

- ▶ lever and bolt are die cast zinc
- ▶ case is formed steel
- ▶ maximum intended panel thickness is .120 [3.05]
- ▶ key removable in locked or unlocked position

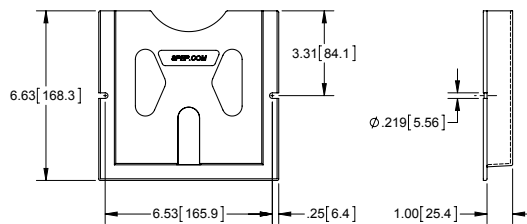


LEFT HAND SHOWN

Small Print Pocket

Part Number	Double Sided Tape	Material
177P	yes	ANSI 61 gray polystyrene
177P-04	no	ANSI 61 gray polystyrene

- ▶ pockets are individually polybagged
- ▶ custom logos and instruction sheet available if ordered in sufficient quantity



Large Print Pocket

Part Number	Double Sided Tape	Material
179P	yes	ANSI 61 gray polystyrene
179P-10	yes heavy duty tape	ANSI 61 gray polystyrene
179P-04	no	ANSI 61 gray polystyrene

- ▶ pockets are individually polybagged
- ▶ custom logos and instruction sheet available if ordered in sufficient quantity

