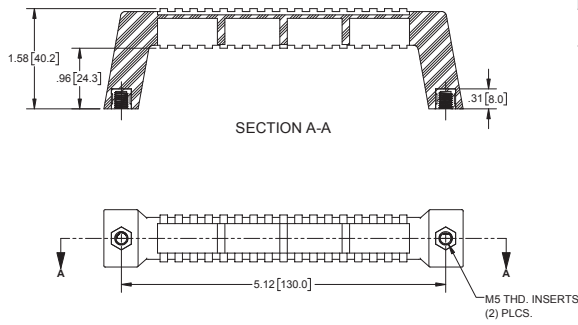
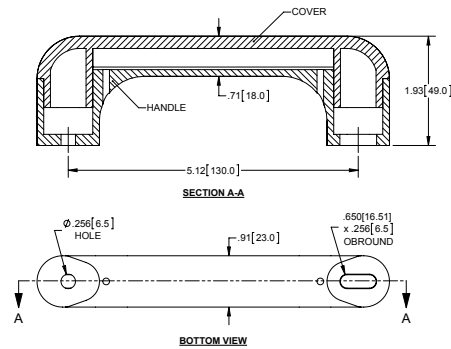


Plastic Pull



Part Number	Material	Finish
964P-01	plastic	black

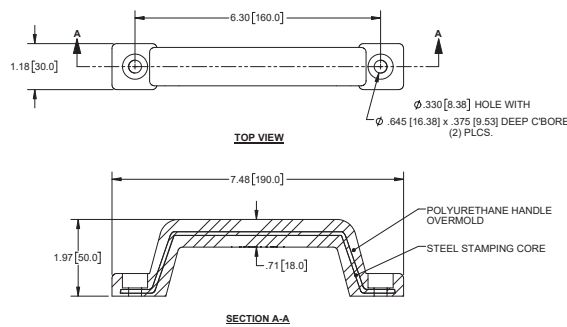
Plastic Pull with Cover



Part Number	Material	Finish
990BK	plastic	black

▶ handle cover hides screws for a clean look

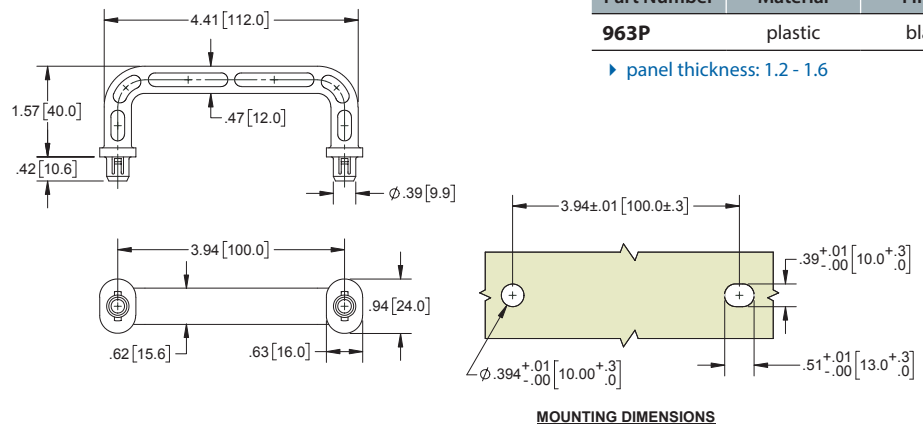
Grab Handle with Steel Core **UV**



Part No.	Material	Finish
969	TPE	smooth

- ▶ includes screw caps
- ▶ core material: steel
- ▶ caps material: TPE
- ▶ UV resistant

Snap-in Plastic Pull



Part Number	Material	Finish
963P	plastic	black

▶ panel thickness: 1.2 - 1.6