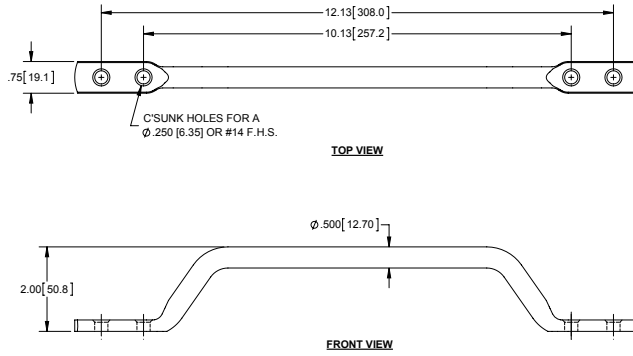
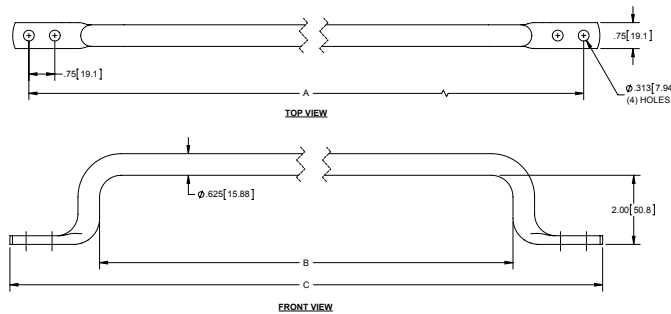


Assist Handles



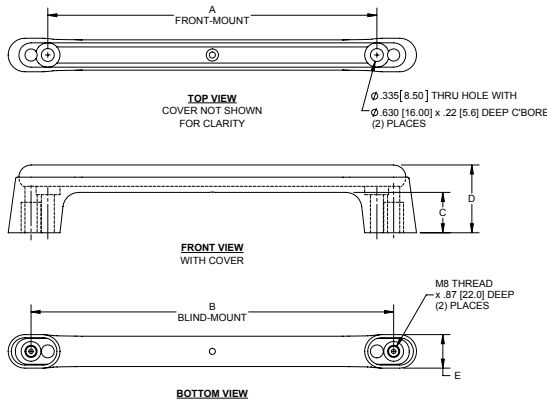
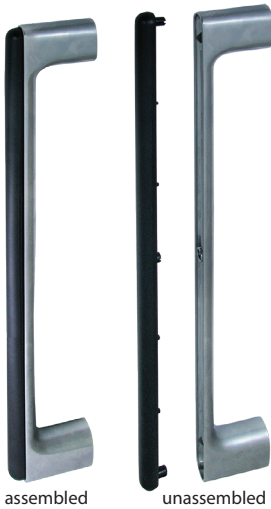
Part Number	Material	Finish
987A	aluminum	mill
987CH	steel	chrome plated
9875S	304SS	lightly polished

Heavy Duty Assist Handles



Part Number	Length A	Length B	Length C	Material	Finish
995A	16.25 [412.8]	12.00 [304.8]	17.18 [436.4]	aluminum	mill
996A	22.75 [577.9]	18.00 [457.2]	23.68 [601.5]	aluminum	mill
996CH	22.75 [577.9]	18.00 [457.2]	23.68 [601.5]	steel	chrome plated
997A	28.75 [730.3]	24.00 [609.6]	29.75 [755.7]	aluminum	mill
997CH	28.75 [730.3]	24.00 [609.6]	29.75 [755.7]	steel	chrome plated
998A	40.75 [1035.1]	36.50 [927.1]	41.68 [1058.7]	aluminum	mill

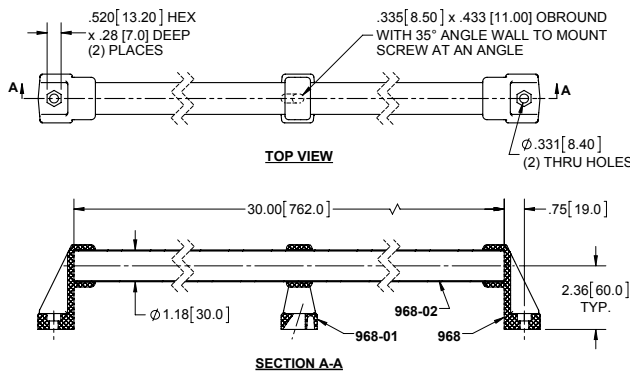
Die Cast Zinc Handles with Plastic Covers



Part Number	A	B	C	D	E
991CH	10.47 [265.9]	11.34 [288.0]	1.04 [26.4]	1.75 [44.5]	.87 [22.1]
991CH-01	8.50 [215.9]	9.37 [238.0]	1.04 [26.4]	1.75 [44.5]	.87 [22.1]
991CH-02	6.54 [166.1]	7.40 [187.0]	1.04 [26.4]	1.75 [44.5]	.87 [22.1]
992CH	12.84 [326.1]	13.78 [350.0]	1.57 [39.9]	2.28 [57.9]	.87 [22.1]

- ▶ cover material: ABS
- ▶ cover finish: black
- ▶ base material: die cast zinc
- ▶ base finish: chrome plated (dull)

Variable Length Pulls



Part Number	Description	Material	Finish
968	end base	plastic, glass reinforced	black
968-01	center base	plastic, glass reinforced	black
968-02	tube 30.0 [762.0]	steel	black powder coat

- ▶ each component is sold separately
- ▶ tube can be cut to desired length