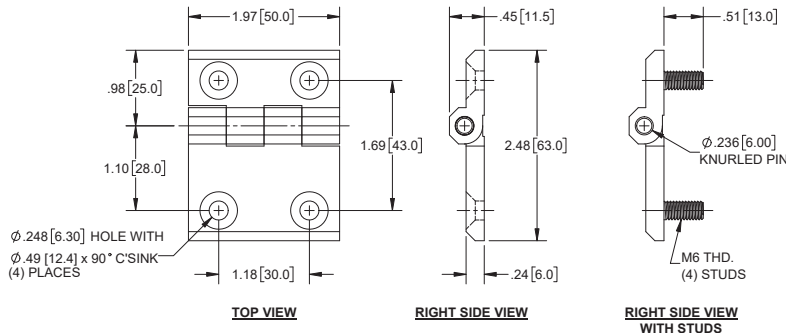


Die Cast Zinc Butt Hinges

Part No.	Material / Finish	Pin
H2279BK*	die cast zinc /	steel, nickel plated
H2279BK-01	black powder coated	steel, nickel plated
NEW H2279BK-02		304SS, passivated

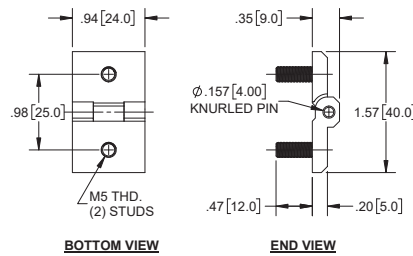
▶ * part no. H2279BK has steel, nickel plated studs



Die Cast Zinc Butt Hinge

Part No.	Material	Finish
H2256BK	die cast zinc	black powder coated

- ▶ steel, nickel plated pin
- ▶ stainless steel studs



Die Cast Zinc Butt Hinges

Part No.	Mounting
H2257BK	ϕ 6.30mm hole with ϕ 12.50mm x 90° c'sink
H2257BK-01	M6 threaded studs

- ▶ material: die cast zinc
- ▶ finish: black powder coated
- ▶ steel, nickel plated studs

