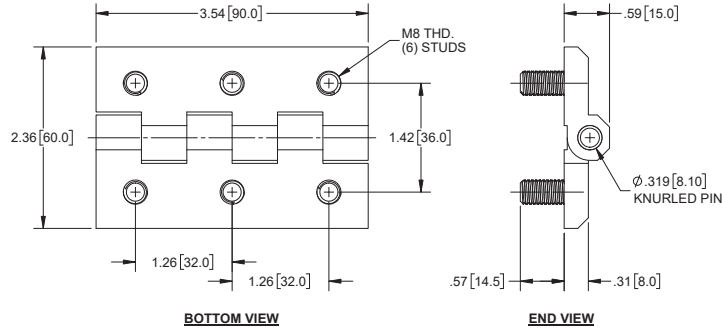


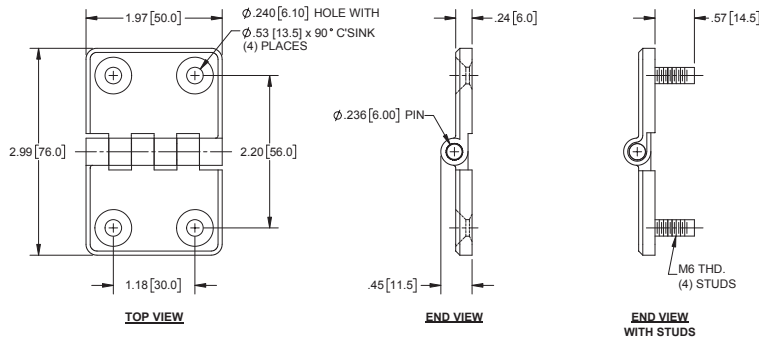
Die Cast Zinc Butt Hinge



Part No.	Material	Finish
H2280BK	die cast zinc	black powder coated

▶ steel, nickel plated pin & studs

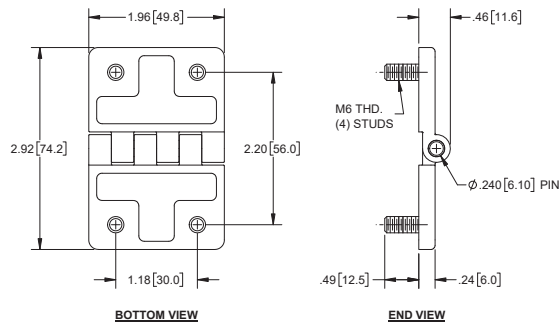
Die Cast Zinc Butt Hinges



Part No.	Mounting	Finish
H2282BK	M6 threaded studs	black powder coated
H2282BK-01	$\phi 6.10$ mm hole with $\phi 13.50$ mm x 90° c'sink	black powder coated

▶ material: die cast zinc
▶ steel, nickel plated pin & studs

Die Cast Zinc Butt Hinge



Part No.	Material	Finish
H2275BK	die cast zinc	black powder coated

▶ steel, nickel plated pin
▶ steel, black powder coated studs