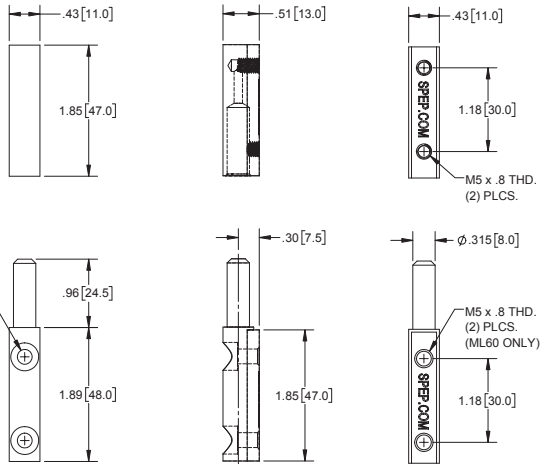


3.74 [95.0] Lift-off Hinges with Covers



ML60-01 front mount

Ø .209 [5.30] HOLE W/
Ø .393 [10.00] x .20 [5.08]
DEEP C BORE
(2) PLCS.
(ML60-01 ONLY)

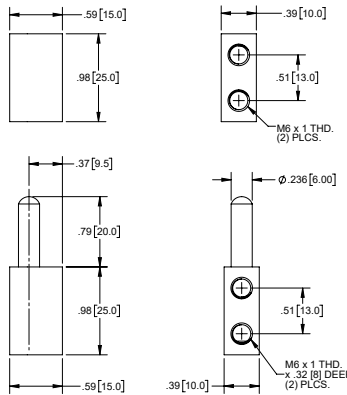


part no. ML60-01 shown

Part No.	Material	Finish	Holes
ML60	steel	zinc plated	blind mount
ML60-01	steel	zinc plated	front mount

- ▶ cover material: 304SS
- ▶ cover finish: mirror polished
- ▶ only the male leaf has blind or front mount option, female leaf is blind mount only

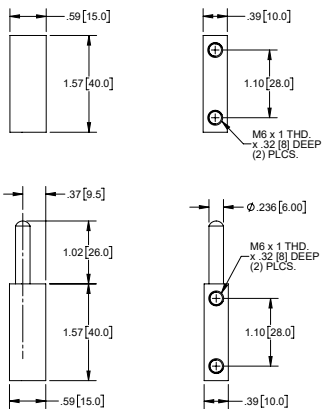
1.96 [49.8] Lift-off Hinge, Solid Brass



Part No.	Material	Finish
ML11CH	solid brass	chrome plated

- ▶ includes (4) nickel plated M6x1 mounting screws
- ▶ 304SS pin

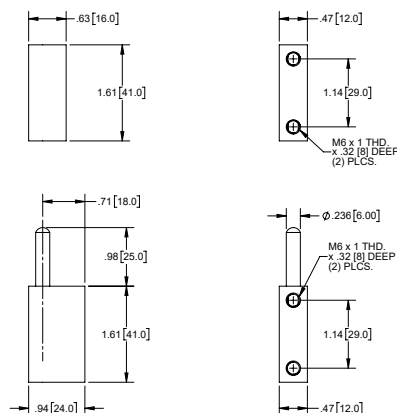
3.15 [80.0] Lift-off Hinge, Solid Brass



Part No.	Material	Finish
ML13CH	solid brass	chrome plated
ML13CH-01*	solid brass	chrome plated

- ▶ includes (4) nickel plated M6x1 mounting screws
- ▶ 304SS pin
- ▶ part no. ML13CH-01 does **not** include fasteners

3.23 [82.0] Offset Lift-off Hinge, Solid Brass



Part No.	Material	Finish
ML15CH	solid brass	chrome plated

- ▶ includes (4) nickel plated M6x1 mounting screws
- ▶ 304SS pin