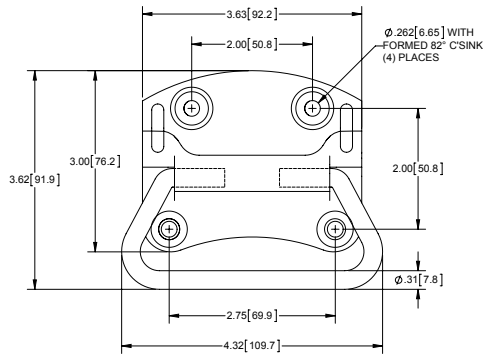
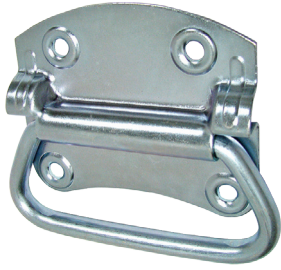


Chest Handles

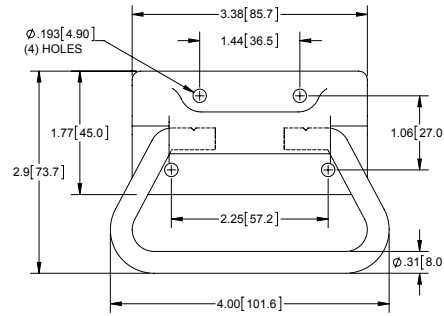


Part Number	Material	Finish
20	.050 [1.27] steel plate	zinc plated
20BK	.050 [1.27] steel plate	black painted

Chest Handles



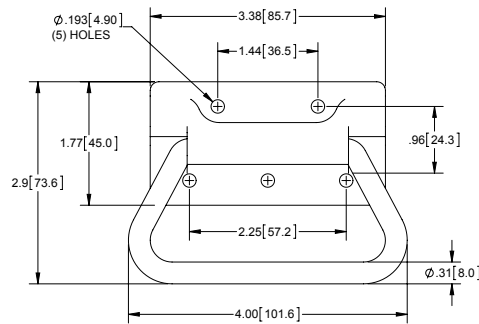
red PVC coating on part no. 2102 only



Part Number	Material	Finish
21*	.055 [1.40] steel plate	zinc plated
2102	.055 [1.40] steel plate	nickel plated

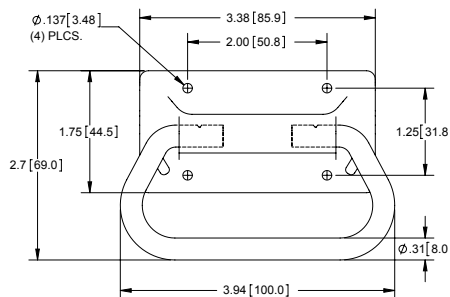
▶ \*part no. 21 does not have red PVC grip

Chest Handle



Part Number	Material	Finish
2103CH	.055 [1.40] steel plate	chrome plated

Chest Handles



Part Number	Material	Finish	Holes
24SSH	.074 [1.88] 304SS plate	electropolished	4
23	.059 [1.50] steel plate	mill	none