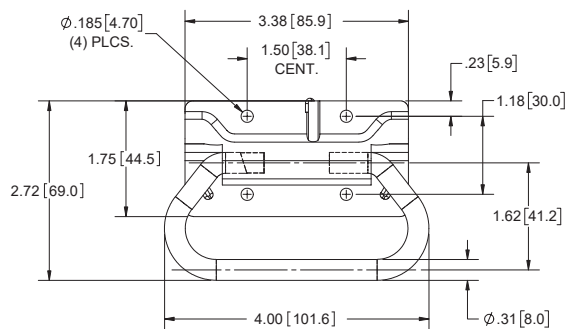


### Spring Loaded Chest Handle

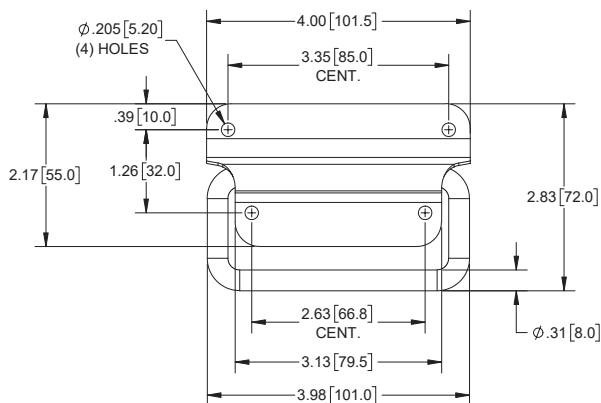
Part Number	Material	Finish
<b>24NP01</b>	.071 [1.8] steel plate	nickel plated

▶ spring loaded bail



### Chest Handle

Part Number	Material	Finish
<b>23-50</b>	.047 [1.2] 304SS plate	polished



### Spring Loaded Chest Handle

Part Number	Material	Finish
<b>22</b>		zinc plated
<b>22BB-02</b>	.060 [1.52] steel plate	tumbled then bright brass plated & lacquered

▶ handle is maintained flush by integrated spring

