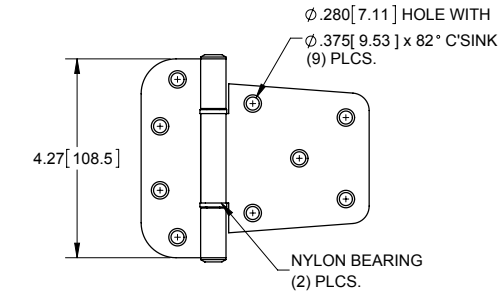


Heavy T-Hinges

Part Number	Material	Finish
HTH3590	steel	zinc plated
HTH3590BK	steel	zinc plated then black powder coated semi-gloss
HTH3590SS	304SS	deburred and passivated

- ▶ 304SS pin and washers
- ▶ nylon bearings increase life expectancy and ensures smooth, quiet operation



TOP VIEW

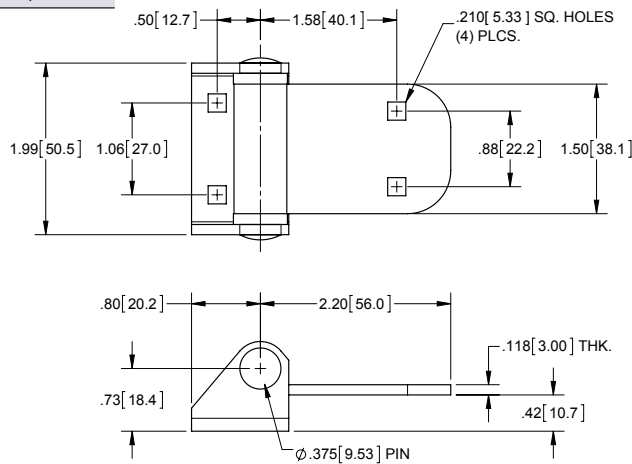
FRONT VIEW



Stainless Steel Offset Strap Hinge

Product Number	Material	Finish
H1043	304SS	hand polished
NEW H1043-05 *	304SS	electropolished

- ▶ 304SS pin and washers
- * indicates money saver



Stainless Steel Offset Strap Hinge

Product Number	Material	Finish
H1081SS	304SS	hand polished

- ▶ 304SS pin and washers

