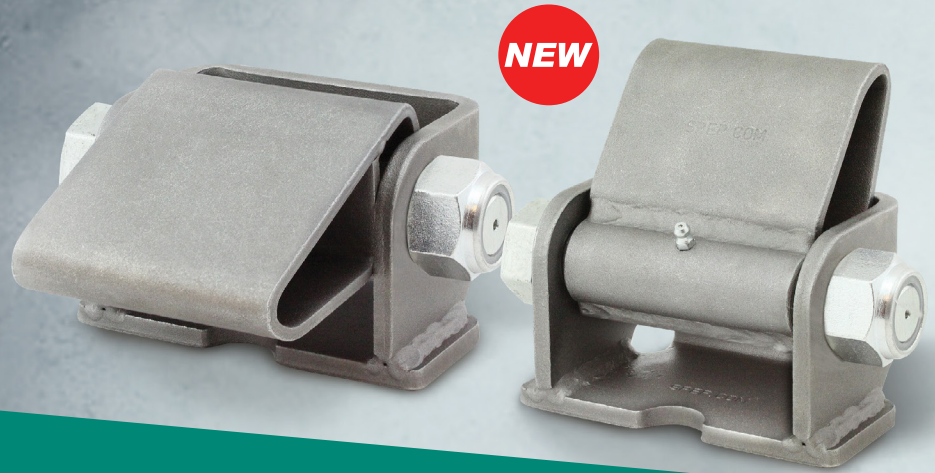


Tilt Hinge



Sierra Pacific Engineering and Products now offers heavy duty tilt hinges for use on dump trucks, dump trailers or dump bodies. Built with high-quality materials for durability, weldability and great performance under the toughest conditions.

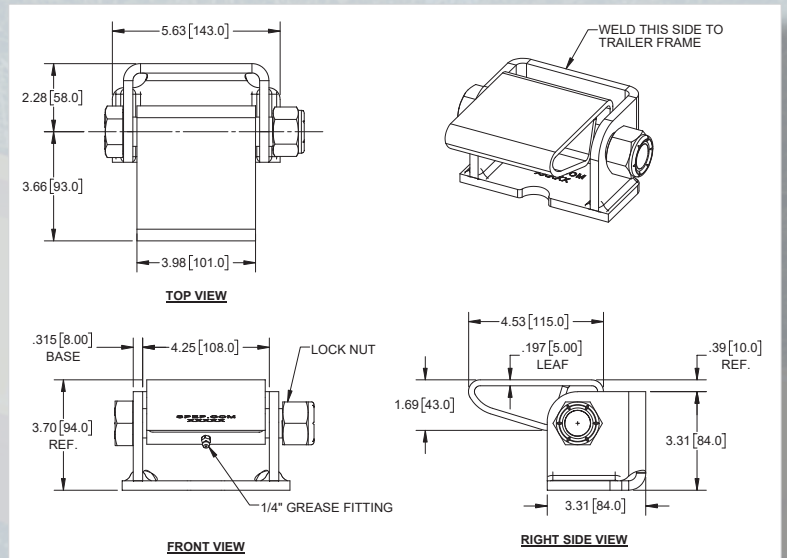
Highlights & Features

- ▶ includes 1/4" grease fitting for easy lubrication maintenance
- ▶ for applications on dump trailers, dump trucks or dump bodies
- ▶ unfinished for easy welding and painting
- ▶ removable hardware for ease of assembly

Application



Technical Details



Part No.	Material	Finish
H3032	steel	mill

Pair of H3032 tilt hinges are suitable for use on trailers with GVWR rating up to 32,000lbs
(for higher rating requirements, please contact SPEP for more information)