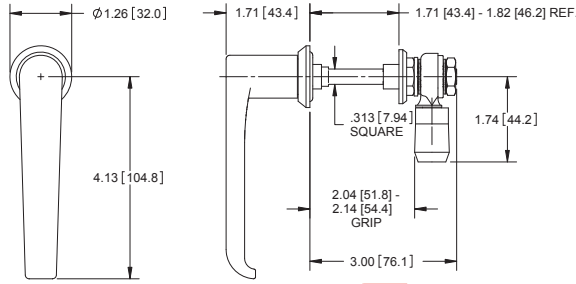




Plastic HVAC L-Handle Latch with Roller Cam

Part Number	Rotation 360°	Shaft Style	Shaft Length	Shaft Size	Locking	Finish
1157-01	bidirectional	M10x1.5 thread	3.00 [76.2]	.313 [7.94]	no	black, textured

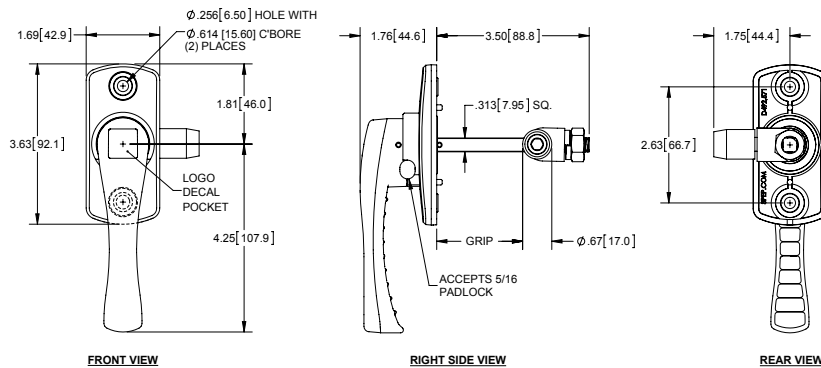
- ▶ includes roller cam (may be purchased separately, see part no. 697 on pg. 60)
- ▶ made from glass reinforced plastic with UV inhibitors
- ▶ door panel grip range between 2.04 [51.8] to 2.14 [54.4]
- ▶ handle includes o-rings



Plastic HVAC Padlocking L-Handles

Part Number	Mount	Rotation	Shaft Style	Shaft Length	Shaft Size	Locking	Finish
3940	front	90° CC	M10x1.5 thread	3.50 [88.9]	.313 [7.94]	no	black, textured
3941	front	90° CW	M10x1.5 thread	3.50 [88.9]	.313 [7.94]	no	black, textured

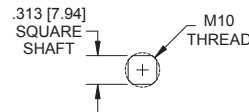
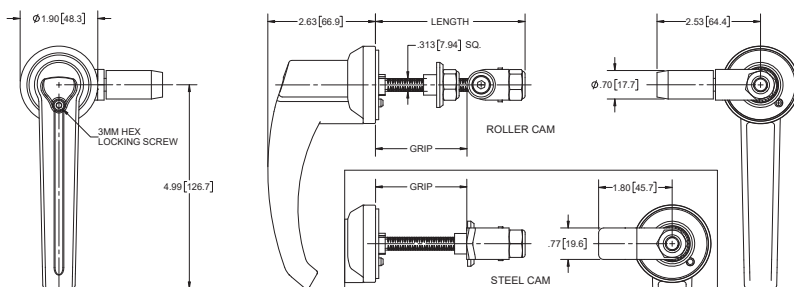
- ▶ 1.97 [50.0] grip range is preset; may be changed with minimum order quantity
- ▶ includes roller cam (may be purchased separately, see part no. 699 on pg. 61)
- ▶ made from glass reinforced plastic
- ▶ handle includes o-rings



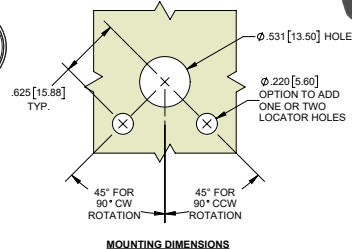
Plastic HVAC Bidirectional L-Handles

Part Number	Cam Type	Length	Shaft Style	Shaft Size	Grip	Finish
1153	plastic roller cam	3.66 [93.0]	M10x1.5 thread	.313 [7.94]	.35 [8.9] - 2.25 [57.2]	black
1153-01	steel offset cam	3.66 [93.0]		.313 [7.94]	.35 [8.9] - 2.25 [57.2]	black
1153-02	plastic roller cam	5.66 [143.8]		.313 [7.94]	.35 [8.9] - 4.25 [108.0]	black

- ▶ made from glass reinforced plastic with UV inhibitors
- ▶ can be installed as either a right hand or left hand handle
- ▶ includes cam (roller cam may be purchased separately, see part no. 698 on pg. 60)



THREADED SQUARE SHAFT



MOUNTING DIMENSIONS

