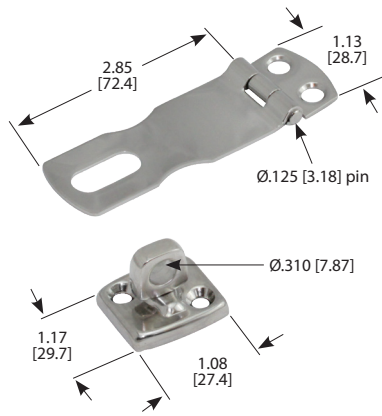
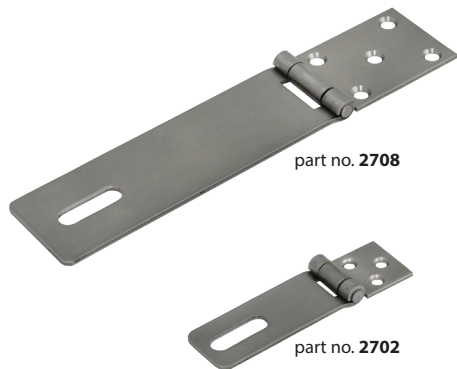


300 Series Stainless Steel Marine Hasp and Swivel Staple

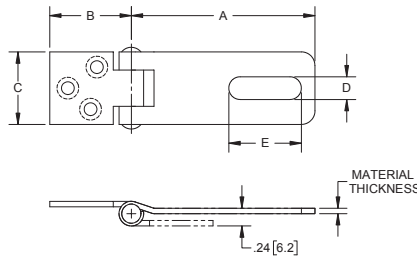


Part Number	Description	Material Thickness	Finish	Screw Size
M0827	hasp	.060 [1.52]	electropolished	#8
M0627	swivel staple	.060 [1.52]	electropolished	#8

300 Series Stainless Steel Hasps



Part Number	Material Thickness	Finish	A	B	C	D	E	F	Screw Size	Mounting Holes
2702	.075 [1.91]	tumbled deburred	2.53 [64.3]	1.12 [28.5]	1.00 [25.4]	.312 [7.92]	1.00 [25.4]	.25 [6.4]	#6	3
2704	.075 [1.91]	tumbled deburred	3.50 [88.9]	1.31 [33.3]	1.50 [38.1]	.375 [9.53]	1.25 [31.8]	.25 [6.4]	#8	3
2706	.098 [2.49]	tumbled deburred	4.50 [114.3]	2.22 [56.4]	1.50 [38.1]	.375 [9.53]	1.25 [31.8]	.25 [6.4]	#8	3
2708	.104 [2.64]	tumbled deburred	6.00 [152.4]	2.75 [69.9]	1.88 [47.6]	.375 [9.53]	1.25 [31.8]	.31 [7.9]	#10	5

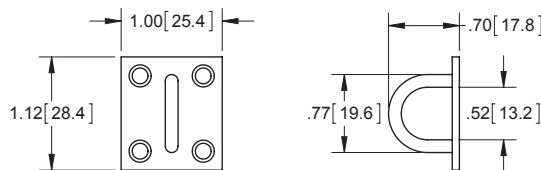


300 Series Stainless Steel Staples

Small Staple



Part Number	Material Thickness	Finish	Wire Dia.	Screw Size
272SS	.072 [1.83]	tumbled deburred	.125 [3.18]	#6



Large Staple



Part Number	Material Thickness	Finish	Wire Dia.	Screw Size
274SS	.072 [1.83]	tumbled deburred	.187 [4.75]	#8

