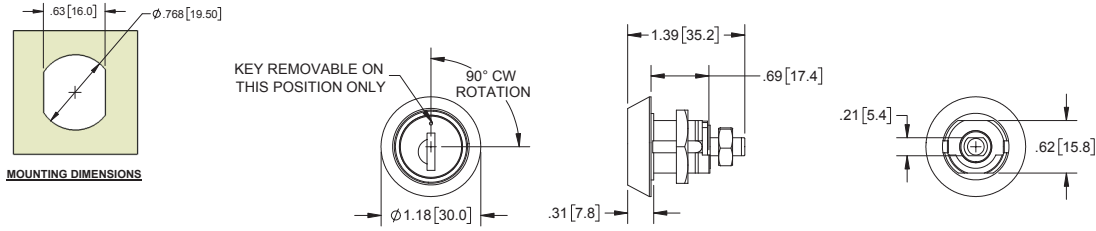


Cam Lock

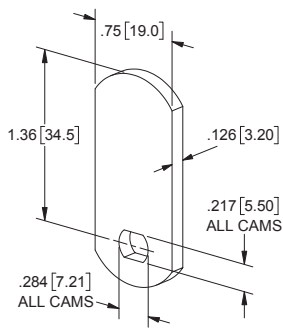
Part Number	Material	Finish
K03PCP08	brass	chrome plated

- ▶ key removable in locked position only
- ▶ cam not included, see page 365 for cam selection

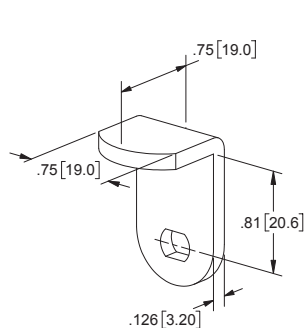


Cams

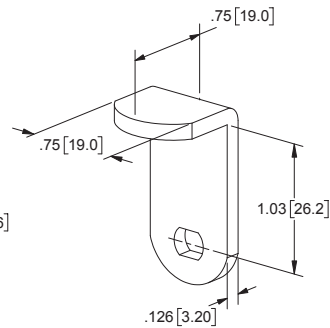
Part Number	Material	Finish
K03-CAM01	steel	zinc plated
K03-CAM02	steel	zinc plated
K03-CAM03	steel	zinc plated
K03-CAM04	steel	zinc plated
K03-CAM05	steel	zinc plated
K03-CAM06	steel	zinc plated
K03-CAM07	steel	zinc plated



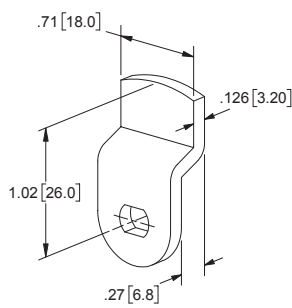
K03-CAM01



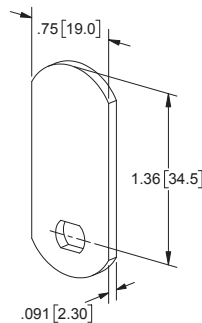
K03-CAM02



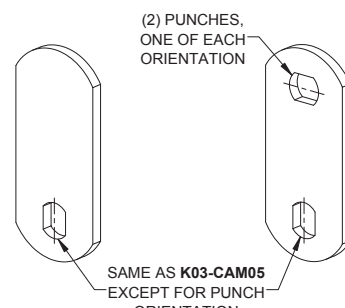
K03-CAM03



K03-CAM04



K03-CAM05



K03-CAM06

K03-CAM07