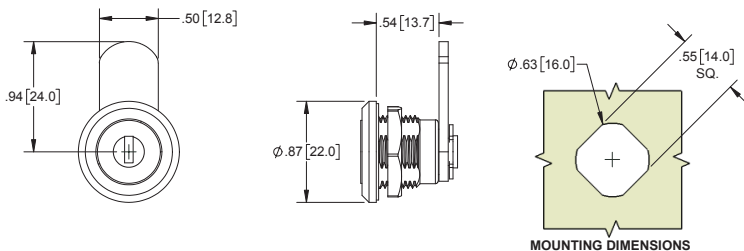


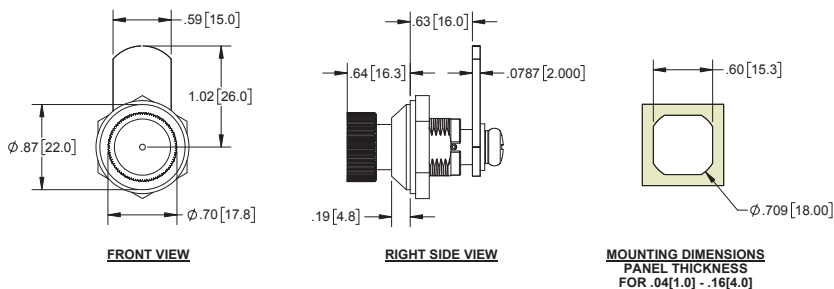
## Cam Locks



Part Number	Material	Finish
<b>K201CP</b>	die cast zinc	chrome
<b>K201BK</b>	die cast zinc	black textured powder coat

- ▶ key code 2233
- ▶ includes cam

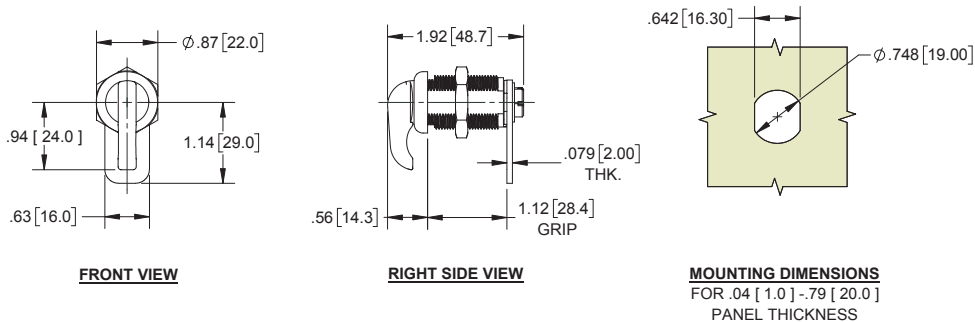
## Push and Turn Knob Cam Lock



Part Number	Material	Finish
<b>K05ICP50</b>	die cast zinc	chrome plated

- ▶ includes cam

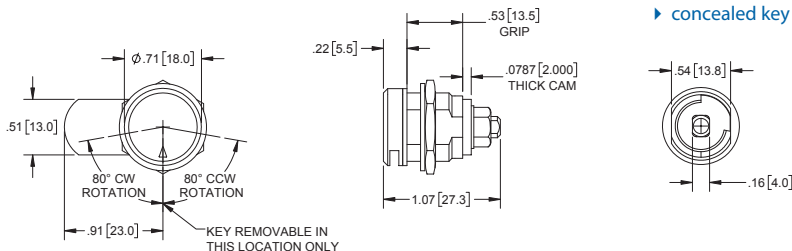
## Thumb Turn Cam Lock



Part Number	Material	Finish
<b>K21TNP01</b>	die cast zinc	nickel plated

- ▶ includes cam

## Cam Lock with Handle Key



Part Number	Material	Finish
<b>K03PCP10</b>	die cast zinc	chrome plated

- ▶ handle key material: die cast zinc with nickel plated finish
- ▶ includes cam
- ▶ key removable in locked position only
- ▶ concealed key hole for higher security