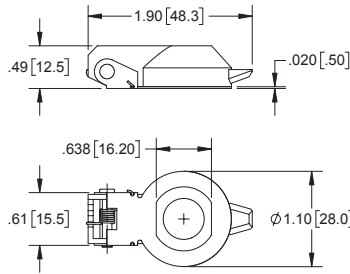


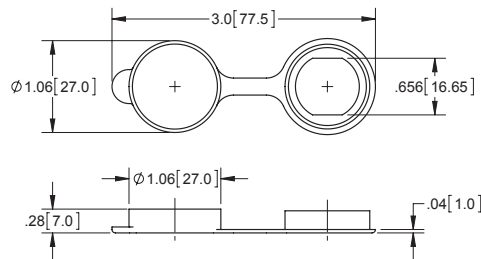
## Cam Lock Dust Cover



Part Number	Finish
K220	chrome

- ▶ protects cam lock from dirt and water
- ▶ spring loaded lid keeps itself closed
- ▶ stamped stainless steel/zinc die cast construction

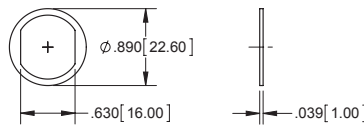
## Plastic Cam Lock Dust Cover



Part Number	Finish
K221	black

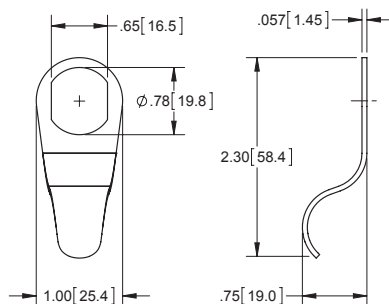
- ▶ durable thermoplastic

## Neoprene Gasket



Part Number	Finish
K04G	black

## Cam Lock Finger Pull



Part Number	Material	Finish
KH345S	304SS	tumbled