

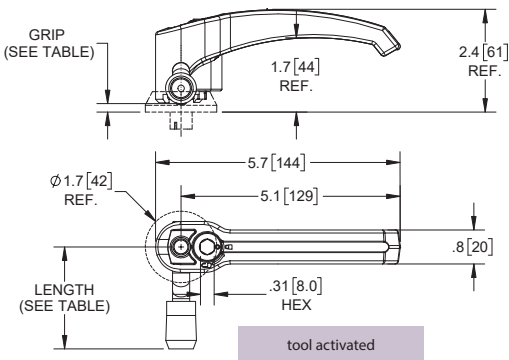
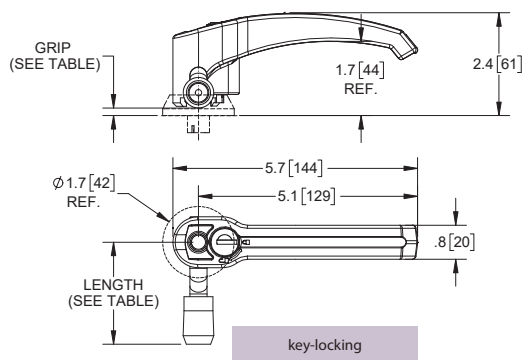
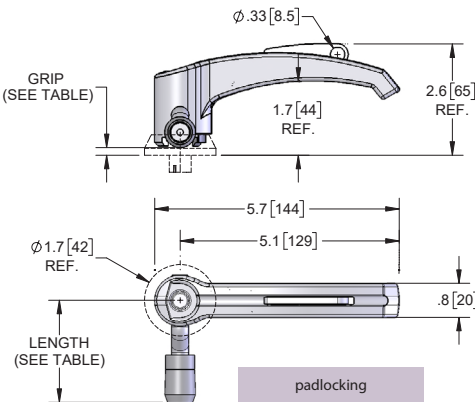
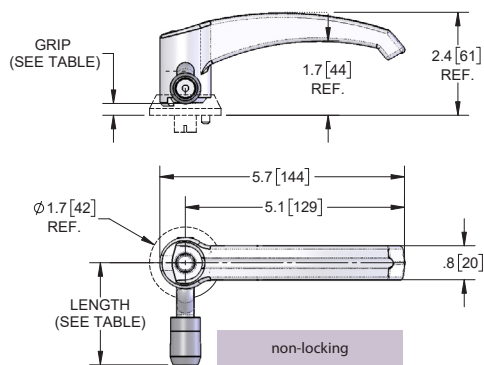


In-Swing L-Handle Latch Assemblies

Part Number	Material/Finish	Locking / Code	Cam Roller Style	Grip	Length
1154-033	nylon/ textured black	non-locking	offset C25L-10	0.20 [5.0]	2.36 [60.0]
1154-053			offset C25L-10	0.28 [7.0]	2.36 [60.0]
1154-011			straight C25S	0.39 [10.0]	1.80 [45.7]
1154-052			straight C25L	0.58 [16.0]	2.36 [60.0]
1154LK-033		padlocking	offset C25L-10	0.20 [5.0]	2.36 [60.0]
1154LK-053			offset C25L-10	0.28 [7.0]	2.36 [60.0]
1154LK-011			straight C25S	0.39 [10.0]	1.80 [45.7]
1154LK-052			straight C25L	0.58 [16.0]	2.36 [60.0]
1154-333033		key-locking / 333	offset C25L-10	0.20 [5.0]	2.36 [60.0]
1154-333053			offset C25L-10	0.28 [7.0]	2.36 [60.0]
1154-333011			straight C25S	0.39 [10.0]	1.80 [45.7]
1154-333052			straight C25L	0.58 [16.0]	2.36 [60.0]
1154-T01033		tool-activated (8MM, 5/16" hex)	offset C25L-10	0.20 [5.0]	2.36 [60.0]
1154-T01053			offset C25L-10	0.28 [7.0]	2.36 [60.0]
1154-T01011			straight C25S	0.39 [10.0]	1.80 [45.7]
1154-T01052			straight C25L	0.58 [16.0]	2.36 [60.0]



- ▶ M6 locking screw, screw cap and roller cam included
- ▶ roller cams also available separately as p/n: **C25L, C25L-10 & C25S**
- ▶ for use with **1154E** series escutcheon/latch housing(s)
- ▶ additional grip ranges (2.5mm - 23mm) available, please contact SPEP sales rep for more info.



Cam Rollers

Part Number	Cam Roller Material/Finish	Pin Material/Finish	Description	Dim C
C25S	plastic/ textured black	steel/ zinc plated	short straight	1.80 [45.7]
C25L			long straight	2.36 [60.0]
C25L-10			offset	2.36 [60.0]

