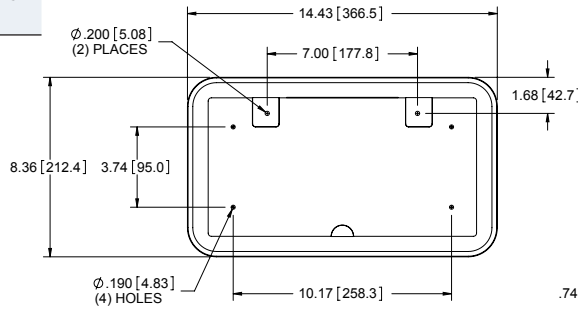


**UV Full License Plate Holder**

Part Number	Color	Material
P1050BK	black	UV resistant plastic with smooth finish
P1050G	gray	
P1050W	white	

▶ (2) stainless steel license plate mounting screws included

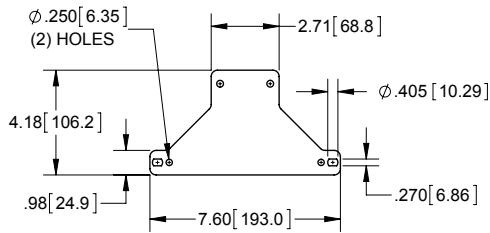
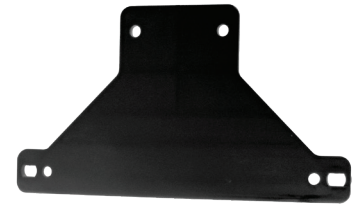


FRONT VIEW

RIGHT SIDE VIEW

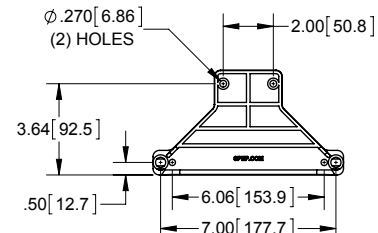
**UV Flat License Plate Holder**

Part Number	Color	Material
P1051BK	black	UV resistant plastic with smooth finish
P1051G	gray	
P1051W	white	



FRONT VIEW

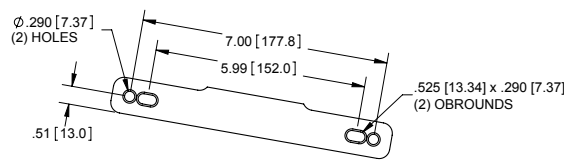
RIGHT SIDE VIEW



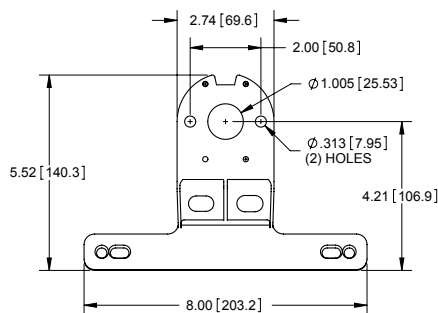
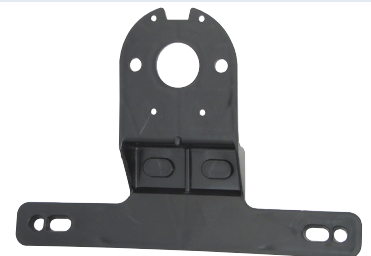
REAR VIEW

**UV Offset License Plate Holder**

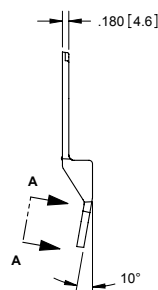
Part Number	Color	Material
P1052BK	black	UV resistant plastic with smooth finish
P1052G	gray	
P1052W	white	



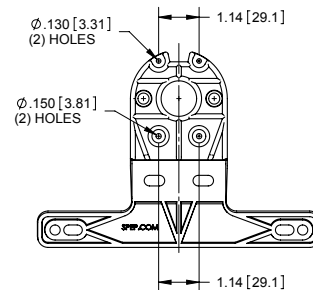
SECTION A-A



FRONT VIEW



RIGHT SIDE VIEW



REAR VIEW