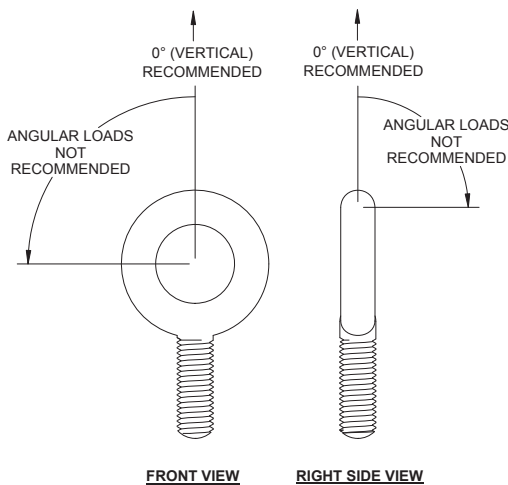
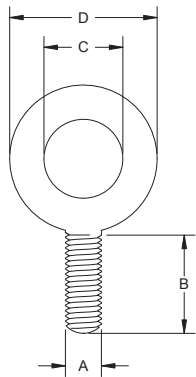


Plain Pattern Eyebolts



WARNING

Eyebolts without shoulder are for vertical lifting only. Angular load applications not recommended for plain eyebolts, see shoulder eyebolts.

Part Number	Material	Rated Capacity	A (Thread Size)	B	C	D
E103	steel	500 lbs.	1/4"- 20	1.00 [25.4]	Ø.75 [19.1]	Ø1.19 [30.2]
E103SS	304SS	460 lbs.	1/4"- 20	1.00 [25.4]	Ø.75 [19.1]	Ø1.19 [30.2]
E106	steel	900 lbs.	5/16"- 18	1.12 [28.5]	Ø.87 [22.1]	Ø1.44 [36.6]
E106SS	304SS	780 lbs.	5/16"- 18	1.12 [28.5]	Ø.87 [22.1]	Ø1.44 [36.6]
E109	steel	1300 lbs.	3/8"- 16	1.25 [31.8]	Ø1.00 [25.4]	Ø1.68 [42.7]
E109SS	304SS	1160 lbs.	3/8"- 16	1.25 [31.8]	Ø1.00 [25.4]	Ø1.68 [42.7]
E112	steel	1800 lbs.	7/16"- 14	1.37 [34.8]	Ø1.06 [26.9]	Ø1.81 [46.0]
E115	steel	2400 lbs.	1/2"- 13	1.50 [38.1]	Ø1.19 [30.2]	Ø2.12 [53.9]
E115SS	304SS	2150 lbs.	1/2"- 13	1.50 [38.1]	Ø1.19 [30.2]	Ø2.12 [53.9]
E118	steel	3200 lbs.	9/16"- 12	1.75 [44.5]	Ø1.37 [34.8]	Ø2.56 [65.0]
E121	steel	4000 lbs.	5/8"- 11	1.75 [44.5]	Ø1.37 [34.8]	Ø2.56 [65.0]
E121SS	304SS	3440 lbs.	5/8"- 11	1.75 [44.5]	Ø1.37 [34.8]	Ø2.56 [65.0]
E124	steel	5000 lbs.	3/4"- 10	2.00 [50.8]	Ø1.50 [38.1]	Ø2.81 [71.4]
E124SS	304SS	5140 lbs.	3/4"- 10	2.00 [50.8]	Ø1.50 [38.1]	Ø2.81 [71.4]
E127	steel	7000 lbs.	7/8"- 9	2.25 [57.15]	Ø1.62 [41.2]	Ø3.19 [81.0]
E130SS	304SS	9370 lbs.	1"- 8	2.50 [63.5]	Ø1.75 [44.5]	Ø3.56 [90.4]
E133	steel	12000 lbs.	1 1/8"- 7	2.75 [69.9]	Ø2.00 [50.8]	Ø4.00 [101.6]
E136	steel	15000 lbs.	1 1/4"- 7	3.00 [76.2]	Ø2.19 [55.6]	Ø4.44 [112.8]
E139	steel	21000 lbs.	1 1/2"- 6	3.50 [88.9]	Ø2.50 [63.5]	Ø5.19 [131.8]
E142	steel	28000 lbs.	1 3/4"- 5	3.75 [95.3]	Ø2.75 [69.9]	Ø6.00 [152.4]
E145	steel	38000 lbs.	2"- 5	4.00 [101.6]	Ø3.00 [76.2]	Ø6.75 [171.5]

- ▶ stainless steel parts are 304SS passivated and electro-polished
- ▶ 316SS parts available upon request
- ▶ steel parts are forged and 304 / 316SS parts are from investment casting
- ▶ all standard eyebolts threaded national coarse
- ▶ shanks longer than standard are available upon request