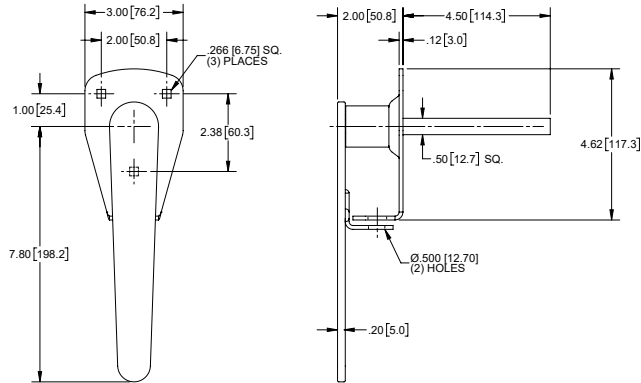
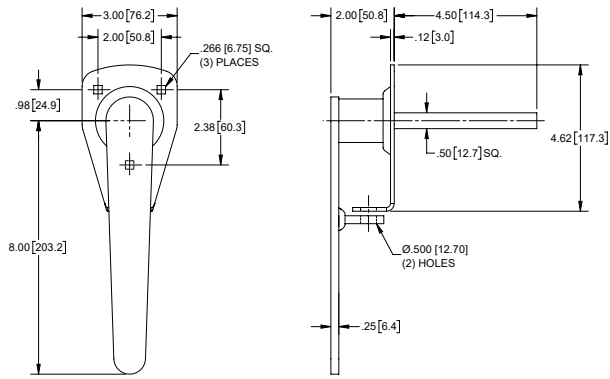


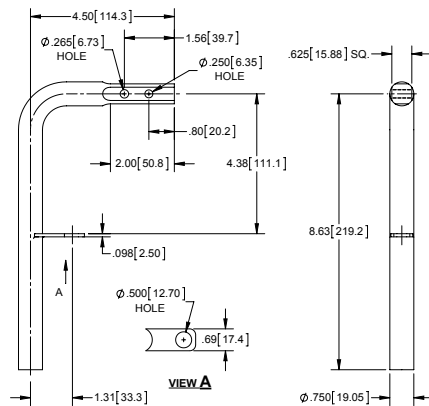
Heavy Duty Padlocking L-Handles



Part No.	Material	Finish	Square Shaft Size
306	steel	zinc plated	.500 [12.70]
NEW 306SS	304SS	electropolished	.500 [12.70]

▶ 360° bi-directional rotation

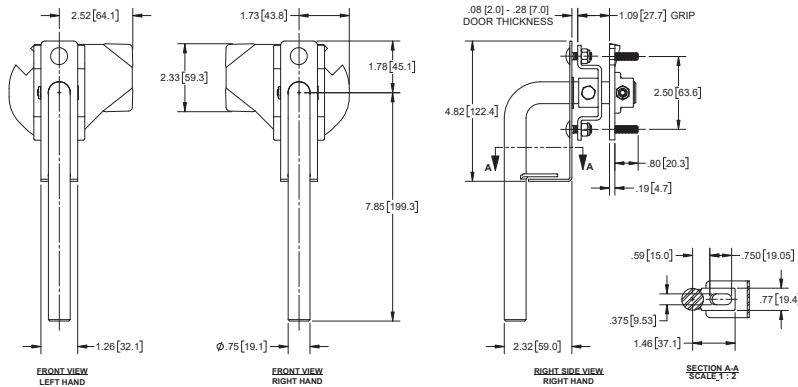
Traffic Enclosure Handle



Part No.	Material	Finish
302-SS-00	304SS	passivated

Traffic Enclosure Handles with Escutcheon

316SS



Part No.	Material	Finish	Handing
324SS	316SS	electropolished	right hand
324SS-LH	316SS	electropolished	left hand

▶ only handle and escutcheon are 316SS
▶ handles rotate 360° bi-directionally