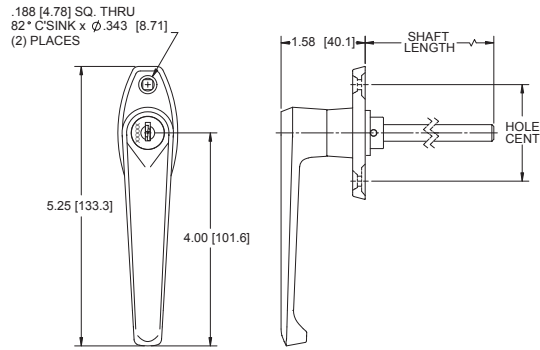


Front and Blind Mount L-Handles

Part Number	Mount	Hole Cent.	90° Rotation	Shaft Style	Shaft Length	Locking	Finish	Key Code
3301	front	1.813 [46.04]	CW	non-threaded	4.00 [101.6]	yes	chrome	CH751
3302	front	1.813 [46.04]	CC		4.00 [101.6]	yes	chrome	CH751
330206	blind	1.500 [38.10]	CC		4.00 [101.6]	yes	dull chrome	CH751
330101	front	1.813 [46.04]	360°		2.00 [50.8]	yes	chrome	keyed different
330102	front	1.813 [46.04]	CW		5.50 [139.7]	yes	chrome	keyed different
330107	blind	1.500 [38.10]	CW		4.00 [101.6]	yes	dull chrome	CH751

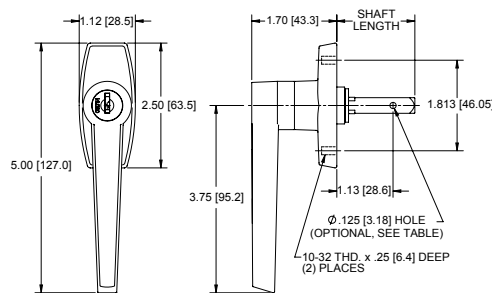
- ▶ material: die cast zinc
- ▶ .313 [7.94] sq. shaft
- ▶ (2) keys
- ▶ mounting screws not supplied
- ▶ gasket available separately, part no. **330G** NEW



Blind Mount L-Handles

Part Number	Mount	Rotation	Shaft Style	Shaft Length	Shaft Hole	Locking	Finish	Key Code
3201	blind	90° CW	3/8" -24 thread	4.00 [101.6]	no	yes	chrome	CH751
320103	blind	90° CW	non-threaded	1.56 [39.6]	yes	yes	chrome	CH751
320106	blind	90° CW	3/8" -24 thread	2.50 [63.5]	no	yes	chrome	CH751
320107	blind	90° CW	3/8"-16 thread	1.44 [36.6]	no	yes	chrome	C415A
3202	blind	90° CC		4.00 [101.6]	no	yes	chrome	CH751
320201	blind	90° CC	non-threaded	1.56 [39.6]	yes	yes	chrome	CH751
320204	blind	90° CC	3/8" -16 thread	1.44 [36.6]	no	yes	chrome	C415A
3221	blind	90° CW	non-threaded	4.00 [101.6]	no	no	chrome	non-locking
322101	blind	90° CW		1.56 [39.6]	yes	no	chrome	non-locking
3222	blind	90° CC		4.00 [101.6]	no	no	chrome	non-locking
322202	blind	90° CC	3/8" -24 thread	1.56 [39.6]	no	no	chrome	non-locking

- ▶ material: die cast zinc
- ▶ achieve NEMA 12 enclosure access requirements when combined with escutcheon gasket sold separately (part no. **320G-01**)
- ▶ stock items available for immediate shipment
- ▶ .313 [7.94] sq. shafts
- ▶ 3/8"-24 threaded shafts include a keps nut
- ▶ mounting screws not supplied
- ▶ handles include o-ring
- ▶ (2) keys



Part Number	Description
320209	same as part no. 320204 except with cam and mounting hardware

- ▶ (2) mounting screws supplied
- ▶ use with part no. **723** rods, pg. 63

