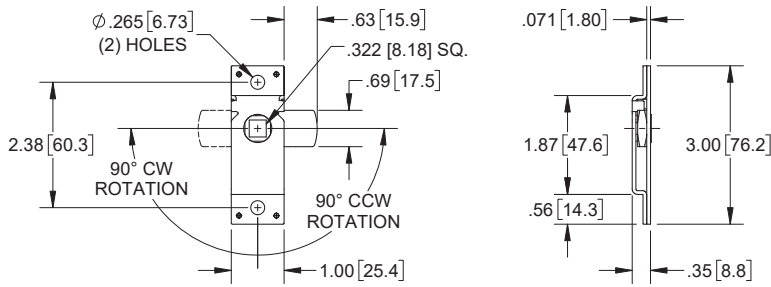


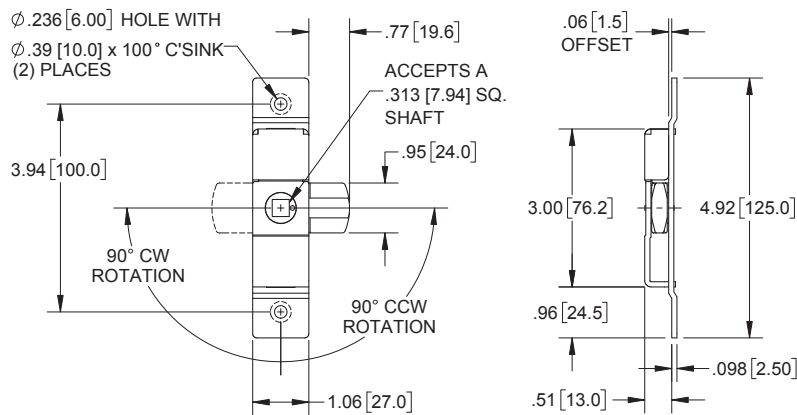
Bidirectional Compartment Latches for 5/16 Shaft



Part Number	Material	Finish
715	steel	zinc plated
7155S	304SS	passivated

- ▶ cam rotates 180°
- ▶ cam detents every 90°
- ▶ can be used as left hand or right hand

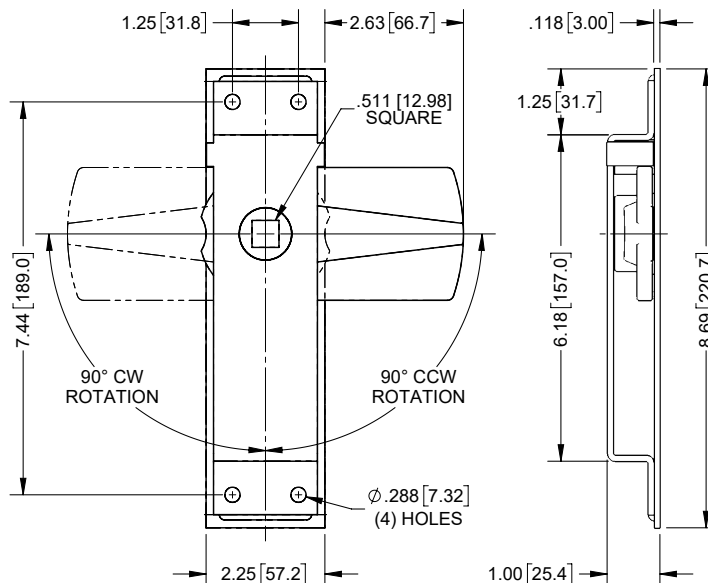
Center Case Latch for 5/16 Shaft



Part Number	Material	Finish
753	steel	zinc plated

- ▶ cam rotates 180°
- ▶ cam detents every 90°
- ▶ can be used as left hand or right hand

Bi-directional Center Case Latch for 1/2 [13] Sq. Shaft



Part Number	Material	Finish
730-51	steel	zinc plated

- ▶ cam rotates 180°
- ▶ cam detents every 90°
- ▶ can be used as left hand or right hand
- ▶ no override