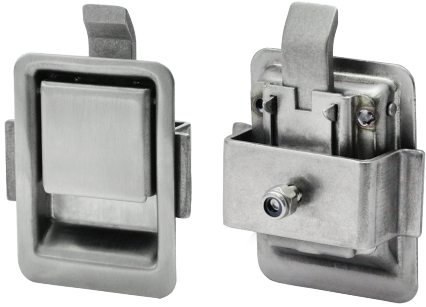
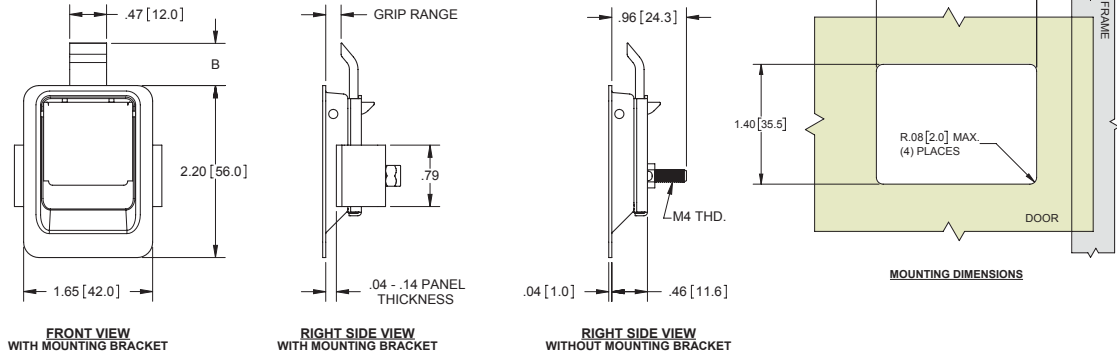


304SS Small Paddle Handles with Brushed Finish

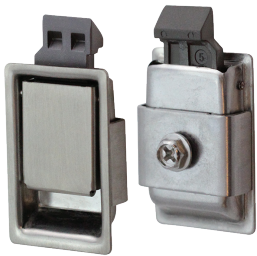


Part No.	Grip Range (min. - max.)	Dim B	Cut-out Dim C (min. - max.)
454SS01	.05 [1.2] - .08 [2.0]	.45 [11.5]	.41 [10.4] - .50 [12.7]
454SS02	.08 [2.0] - .11 [2.8]	.48 [12.0]	.44 [11.2] - .53 [13.5]
454SS03	.11 [2.8] - .14 [3.6]	.48 [12.0]	.47 [11.9] - .56 [14.2]
454SS	.14 [3.6] - .16 [4.1]	.54 [13.8]	.35 [9.0] - .39 [10.0]

- ▶ includes mounting bracket and nylon lock nut
- ▶ low profile design

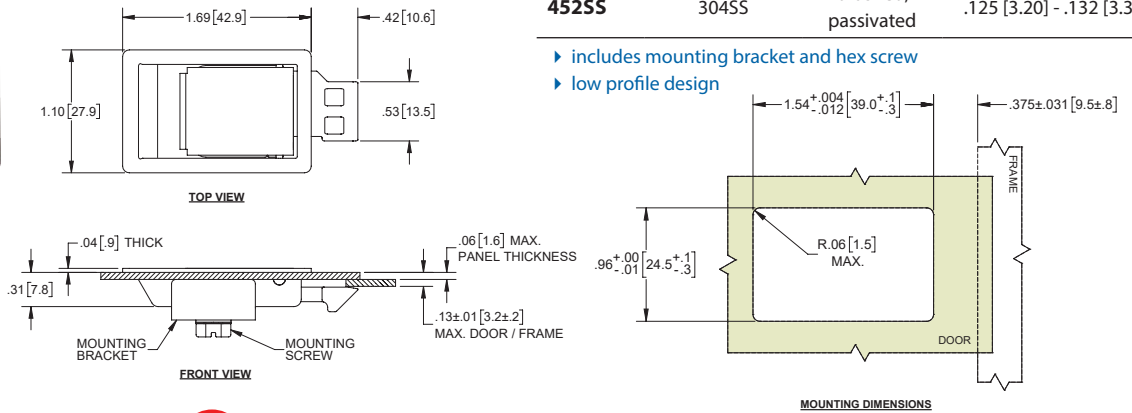


304SS Small Paddle Handle with Plastic Bolt



Part No.	Material	Finish	Grip Range (min. - max.)
452SS	304SS	brushed, passivated	.125 [3.20] - .132 [3.35]

- ▶ includes mounting bracket and hex screw
- ▶ low profile design



Junior 3-Point Paddle Handle



Part No.	Material	Finish	Pan Thickness	Key Code
40502BK	steel	black powder coated	18 gauge	CH545

