

PAT. Single-Point Folding T-Handles with Nylon Roller Cam

Part Number	Material	Finish	Locking	Holes/Studs
479-KD	304SS	polished face	yes	holes
489-KD	304SS	polished face	yes	studs

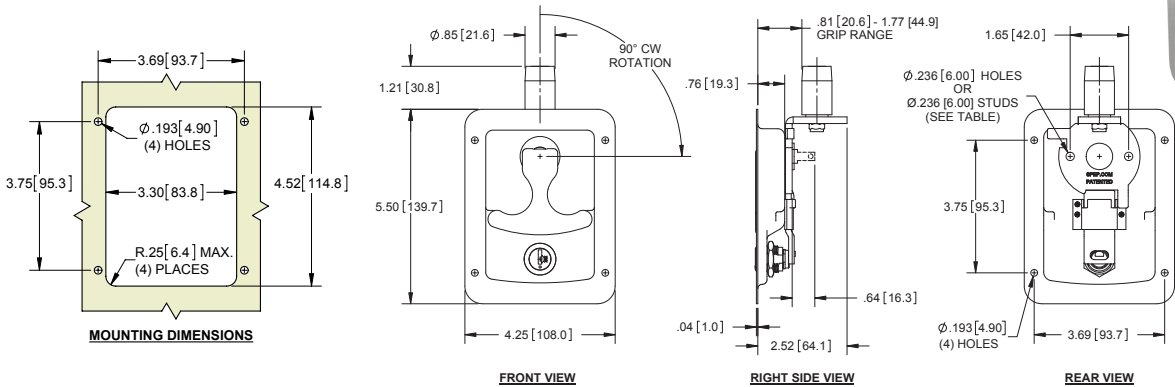
▶ keyed differently (25 key codes available)

Gaskets

Part Number	Material	Finish	Thickness
479-G	neoprene	smooth, black	.063 [1.60]
NEW 479-G01	neoprene	smooth, black	.188 [4.76]



patented



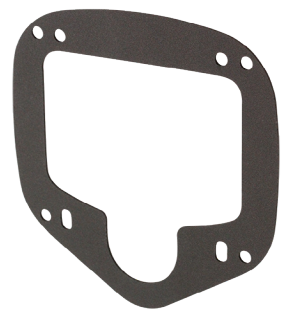
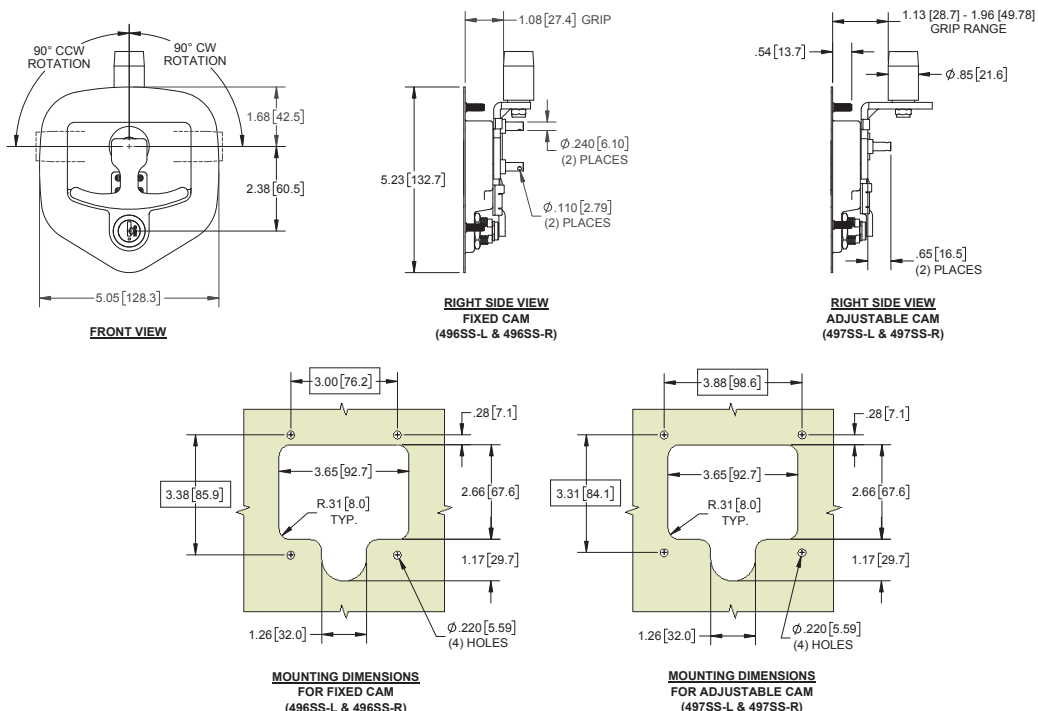
PAT. Multi-Point Padlocking Flush Folding T-Handles

Part Number	Key Code	Rotation	Material / Finish	Cam Type	Grip	Mounting
496SS-L	CH501	90° CW	304SS pan / polished	fixed roller cam	1.08 [27.4]	threaded studs
496SS-R	CH501	90° CCW	304SS pan / polished	fixed roller cam	1.08 [27.4]	threaded studs
497SS-L	CH501	90° CW	304SS pan / polished	adjustable roller cam	1.13 [28.7] - 1.96 [49.78]	threaded studs
497SS-R	CH501	90° CCW	304SS pan / polished	adjustable roller cam	1.13 [28.7] - 1.96 [49.78]	threaded studs

- ▶ recessed lock
- ▶ .040 [1.02] pan thickness
- ▶ die cast zinc handle
- ▶ accepts up to 7/16" padlock
- ▶ gasket available separately as part no. 496G-01
- ▶ see pg. 63 (part no. 723) for rods and accessories



patented



part no. 496G-01