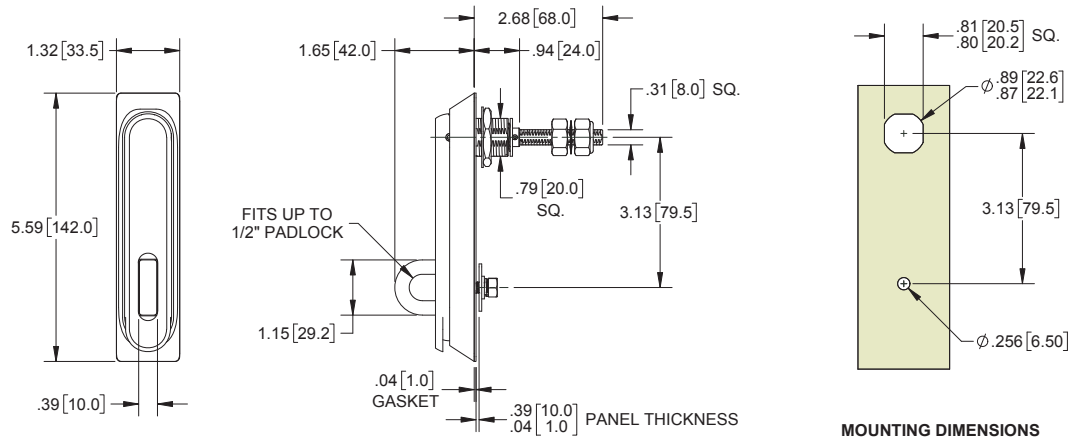


IP65
RATEDNEMA
12

Padlocking Swing Handle

Part Number	Material	Finish
54CH	die cast zinc	polished chrome

- ▶ handle rotates clockwise or counterclockwise
- ▶ cams sold separately (see pg. 134)
- ▶ assembly includes:
 - ▶ face gasket & internal O-ring
 - ▶ housing ring
 - ▶ body nut
 - ▶ fasteners and mounting accessories



IP66

NEMA
4NEMA
4X

Padlocking Swing Handle

Part Number	Material	Finish
54SS	304SS	brushed

- ▶ handle rotates clockwise or counterclockwise
- ▶ cams sold separately (see pg. 134)
- ▶ assembly includes:
 - ▶ face gasket, internal O-ring, & mounting O-ring
 - ▶ housing ring
 - ▶ body nut
 - ▶ fasteners and mounting accessories

