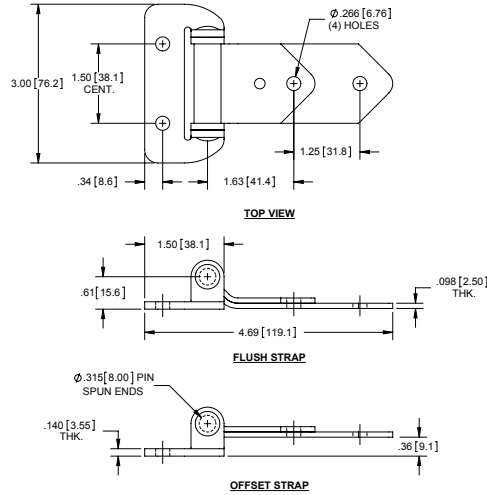


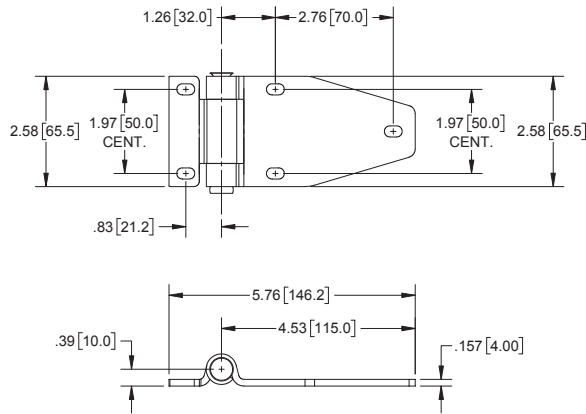
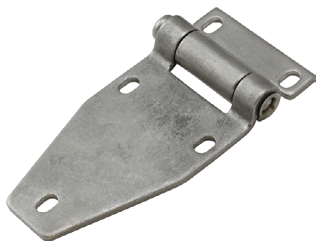
Stainless Steel Strap Hinges



Part Number	Description	Finish
H1034SS-01	flush strap	mirror hand polish
H1034SS-02	offset strap	mirror hand polish

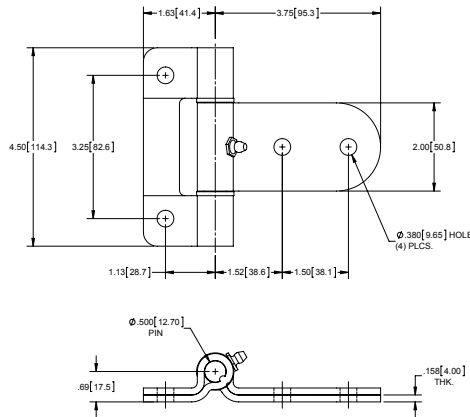
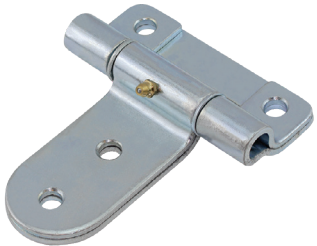
- ▶ material: 304SS
- ▶ nylon bushings

Stainless Steel Strap Hinge



Part Number	Material	Finish
HS4516SS	304SS	tumbled deburred

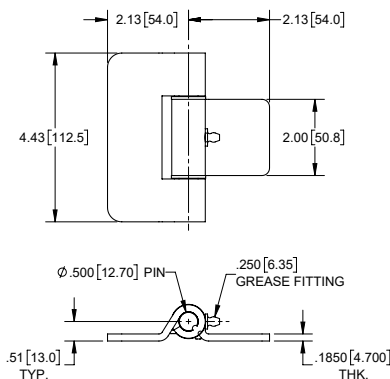
Steel Strap Hinge with Grease Fitting



Part Number	Finish	Pin
H1015	zinc plated	non-removable, steel pin

- ▶ brass with mill finish grease fitting
- ▶ steel with zinc plated finish washers

Steel Strap Hinge with Grease Fitting



Part Number	Finish	Pin
H3180	zinc plated	non-removable, steel pin

- ▶ brass with mill finish grease fitting
- ▶ steel with zinc plated finish washers