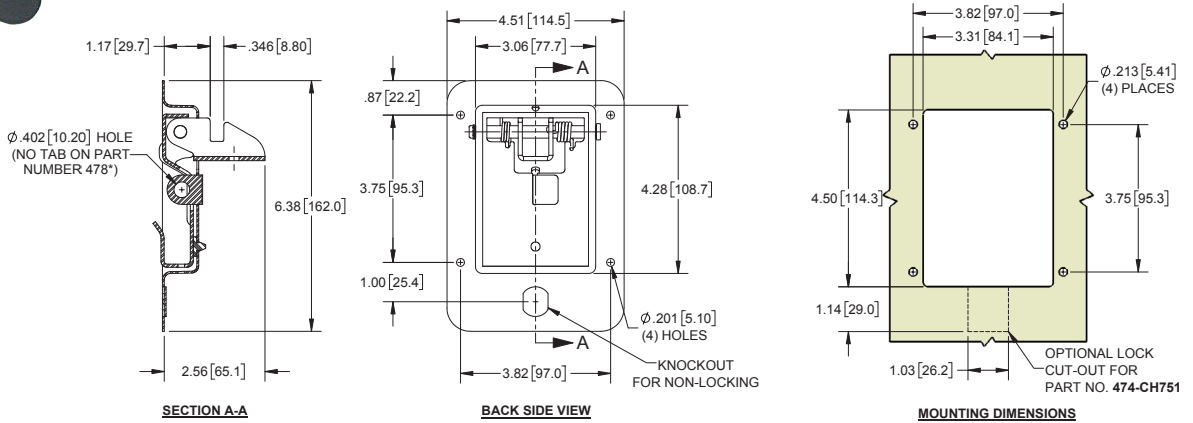


Paddle Handles with Padlock Tab



Part No.	Material	Finish	Cam Lock / Key Code	Pan Thickness	Mounting Holes
474	steel	black powder coated	none	18 gauge	yes
474-CH751	steel	black powder coated	CH751	18 gauge	yes

- ▶ pivoting catch allows for door and frame flexing on off-road and agricultural vehicles
- ▶ spring loaded components prevent vibration
- ▶ reverse paddle design allows for use on top hinged doors
- ▶ non-locking latch has a knockout covering hole
- ▶ accepts up to 3/8" padlock



Padlockable Paddle Handle



Part No.	Material	Finish	Cam Lock / Key Code	Pan Thickness	Mounting Holes
474-04	steel	black powder coated	none	18 gauge	yes

- ▶ pivoting catch allows for door and frame flexing on off-road and agricultural vehicles
- ▶ spring loaded components prevent vibration
- ▶ reverse paddle design allows for use on top hinged doors
- ▶ accepts up to 3/8" padlock

